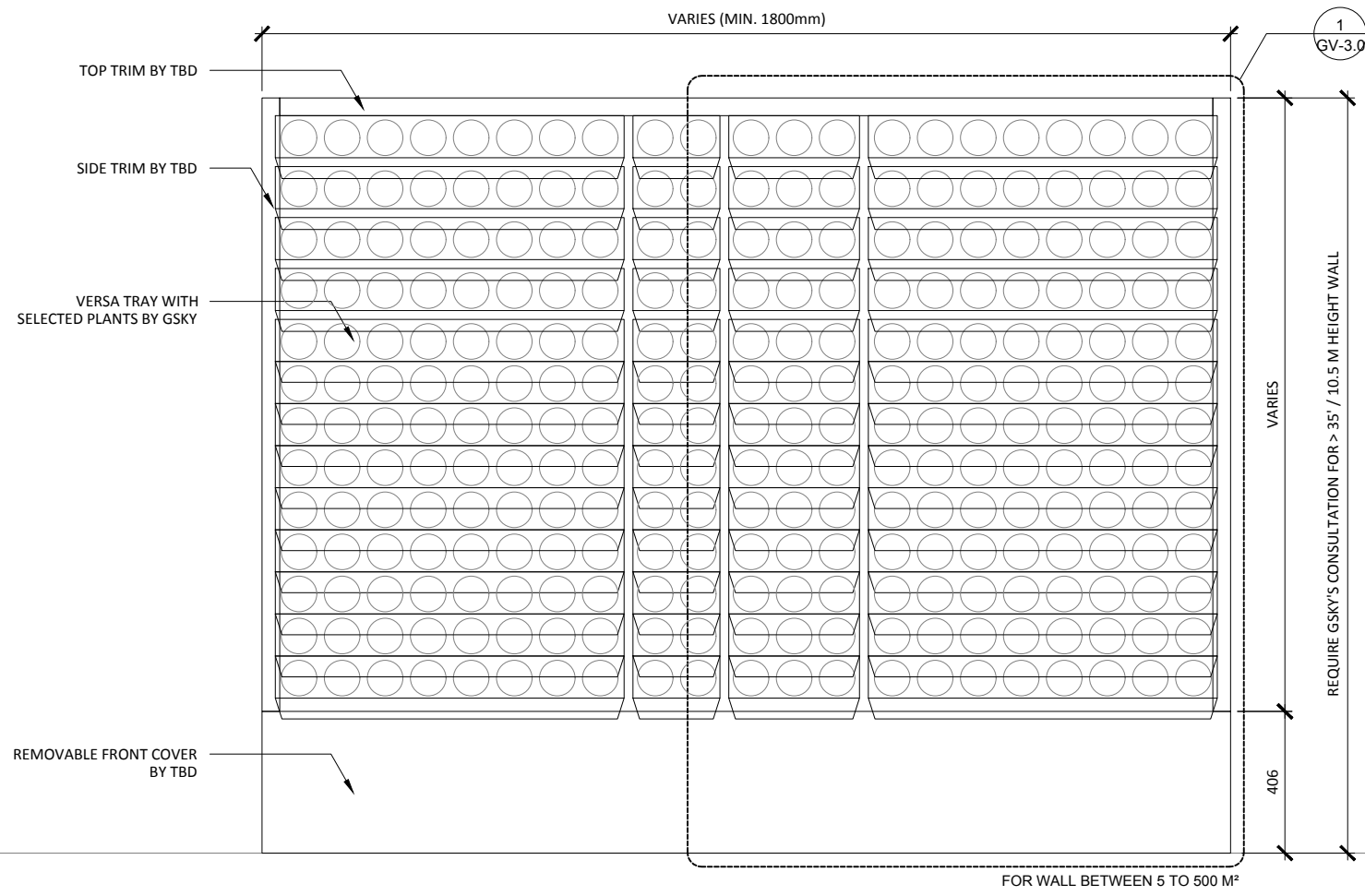
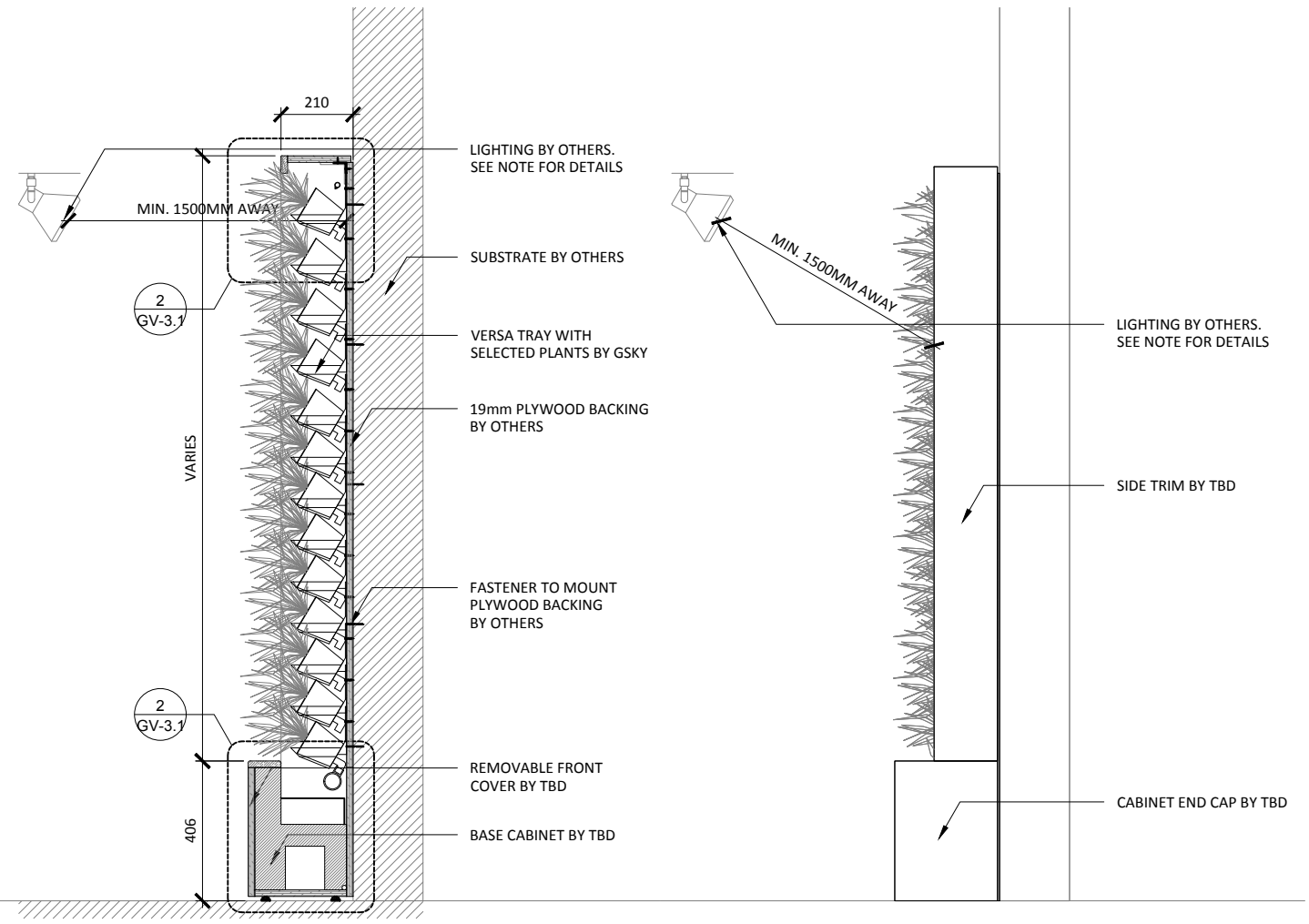


VERSA WALL®

TO THE FLOOR / TANKS BELOW WALL
VTB-C2

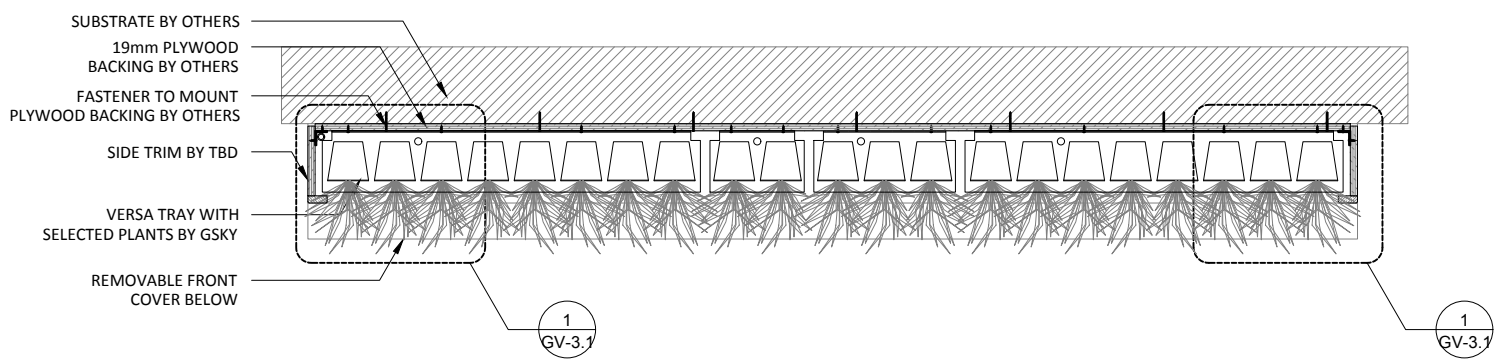


1 ELEVATION
SCALE: 1:20



3 SECTION
SCALE: 1:20

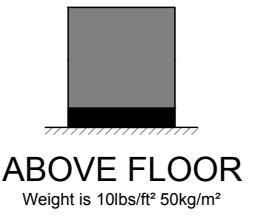
4 SIDE
SCALE: 1:20



2 PLAN
SCALE: 1:20

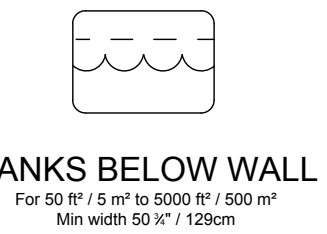


VERSA WALL[®]
VTB-C2 GENERAL OVERVIEW
VER. 1.1 297x420 mm (A3)



51 mm	SIDE/TOP
406 mm	BOTTOM

TRIM
NOTE: pipes and edges of trays will be exposed unless recessed or covered



SERVICE			
MANUAL	N/A	N/A	N/A
AUTOMATED	At Wall	At Wall	At Wall

IRRIGATION
It is recommended to install a drain whenever possible. Require GSKy's consultation for > 35' / 10.5 m height wall.

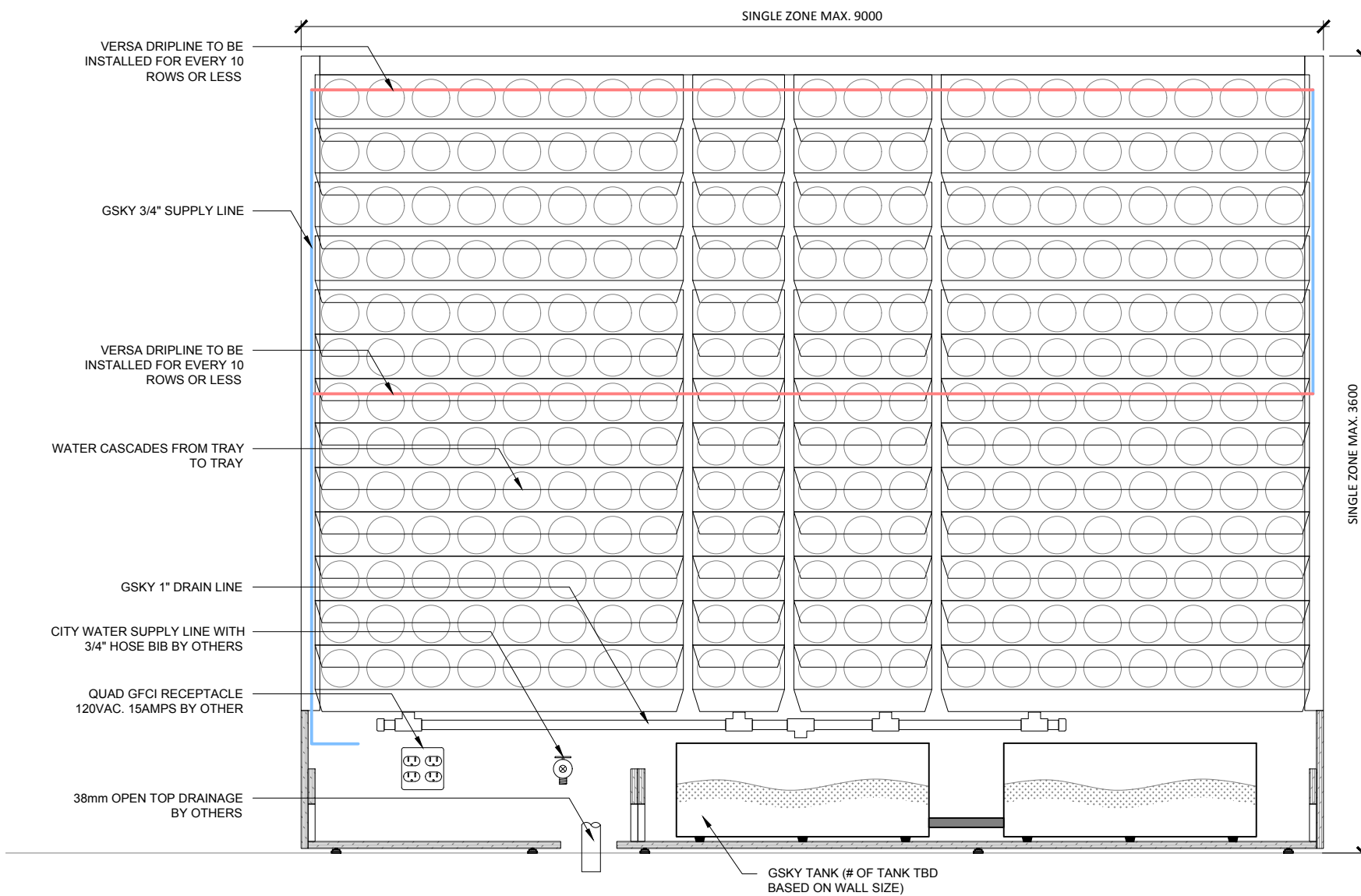
	Duration	10-12 hrs/day
	Color Temp	4000-4500K
	Intensity	150fc / 1500 lux (Even Flood)

LIGHTING
LED or Metal Halide Lights recommended

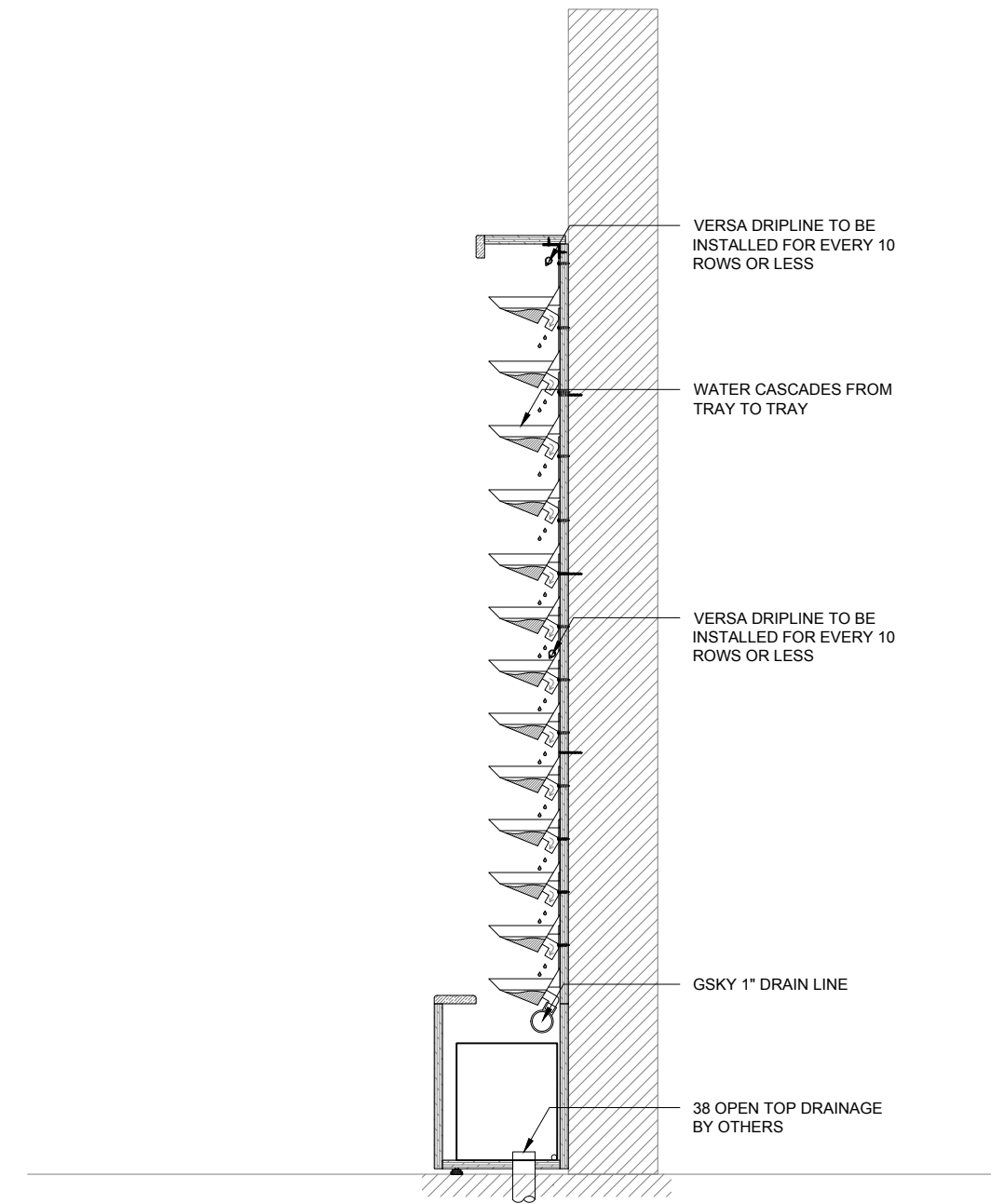
	< 2400	OK		
	< 4000	OK	OK	
	> 4000		OK	OK
	> 4000		OK	OK

MAINT. ACCESS
Walls over 40' / 12m need additional considerations. See GSKy maintenance manual.

GV1.0



1 ELEVATION
SCALE: 1:16



2 SECTION
SCALE: 1:16



VERSA WALL[®]
VTB-C2 IRRIGATION OVERVIEW
VER. 1.1 297x420 mm (A3)

ABOVE FLOOR
Weight is 10lbs/ft² 50kg/m²

51 mm	SIDE/TOP
406 mm	BOTTOM

TRIM
NOTE: pipes and edges of trays will be exposed unless recessed or covered

TANKS BELOW WALL
For 50 ft² / 5 m² to 5000 ft² / 500 m²
Min width 50 3/4" / 129cm

SERVICE			
MANUAL	N/A	N/A	N/A
AUTOMATED	At Wall	At Wall	At Wall

IRRIGATION
It is recommended to install a drain whenever possible. Require GSky's consultation for > 35' / 10.5 m height wall.

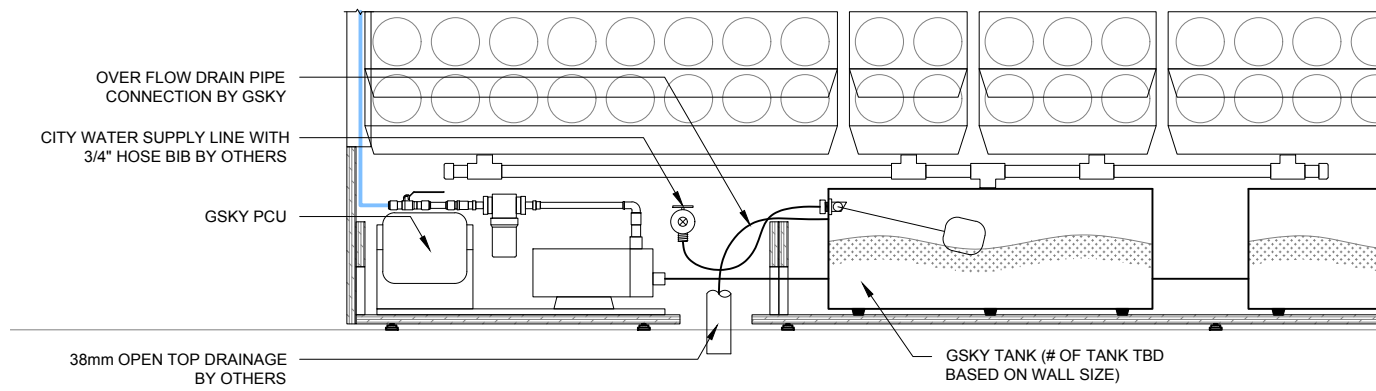
	Duration 10-12 hrs/day
	Color Temp 4000-4500K
	Intensity 150fc / 1500 lux (Even Flood)

LIGHTING
LED or Metal Halide Lights recommended

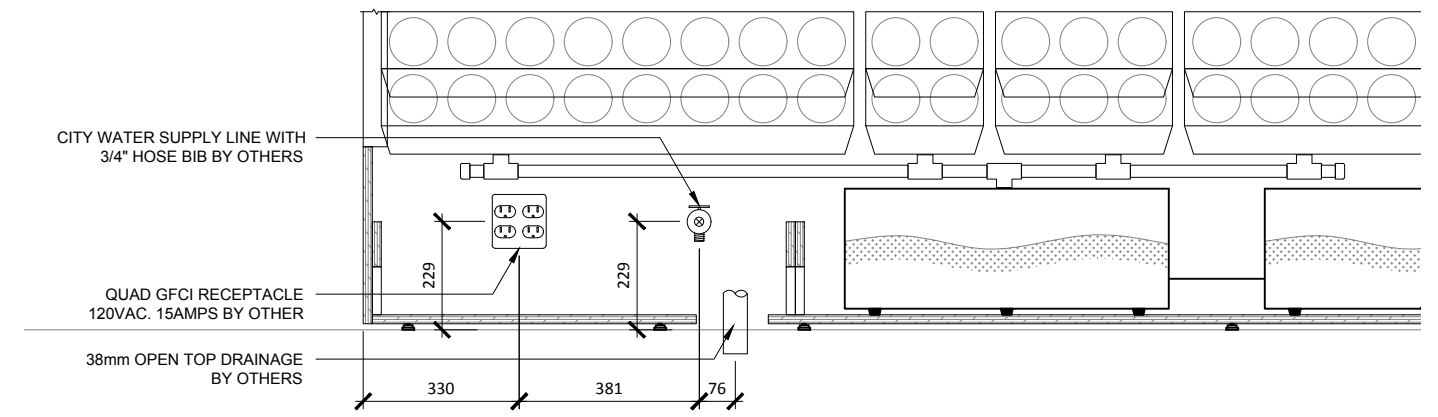
< 2400	OK		
< 4000	OK	OK	
> 4000		OK	OK

MAINT. ACCESS
Walls over 40' / 12m need additional considerations. See GSky maintenance manual.

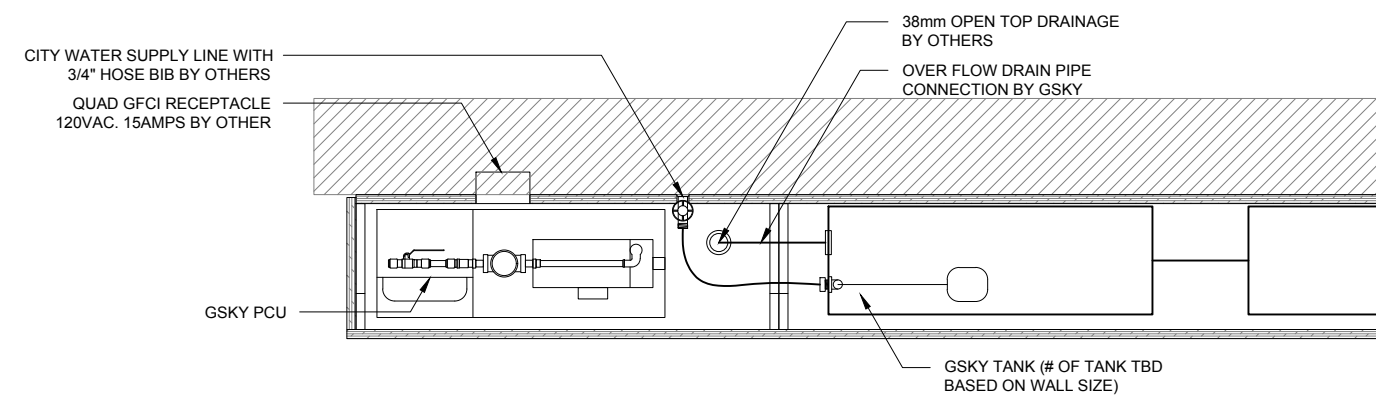
GV2.0



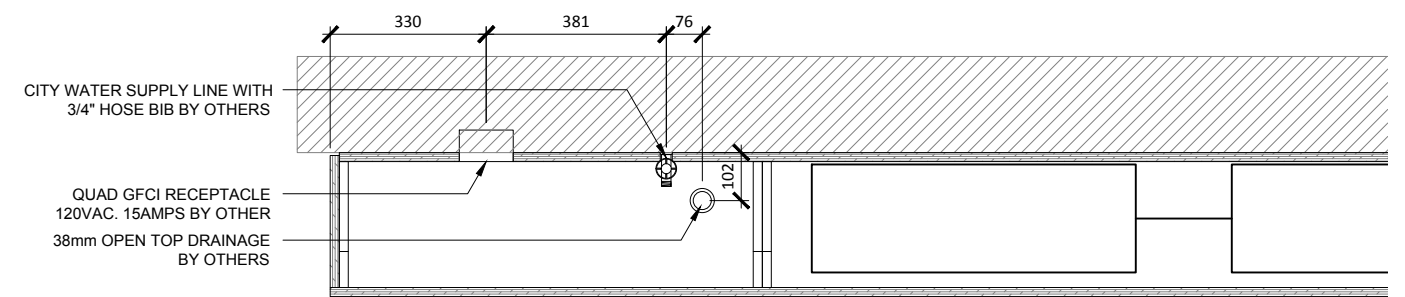
1 IRRIGATION LAYOUT - ELEVATION
SCALE 1:16



3 MECH. LAYOUT - ELEVATION
SCALE 1:16



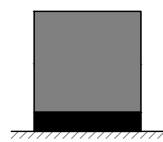
2 IRRIGATION LAYOUT - PLAN
SCALE 1:16



2 MECH. LAYOUT - PLAN
SCALE 1:16



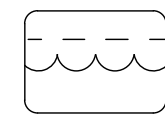
VERSA WALL[®]
VTB-C2 IRRIGATION SYSTEM LEFT
VER. 1.1 297x420 mm (A3)



ABOVE FLOOR
Weight is 10lbs/ft² / 50kg/m²

51 mm	SIDE/TOP
406 mm	BOTTOM

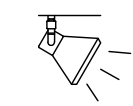
TRIM
NOTE: pipes and edges of trays will be exposed unless recessed or covered



TANKS BELOW WALL
For 50 ft² / 5 m² to 5000 ft² / 500 m²
Min width 50 3/4" / 129cm

SERVICE			
MANUAL	N/A	N/A	N/A
AUTOMATED	At Wall	At Wall	At Wall

IRRIGATION
It is recommended to install a drain whenever possible. Require GSKY's consultation for > 35' / 10.5 m height wall.



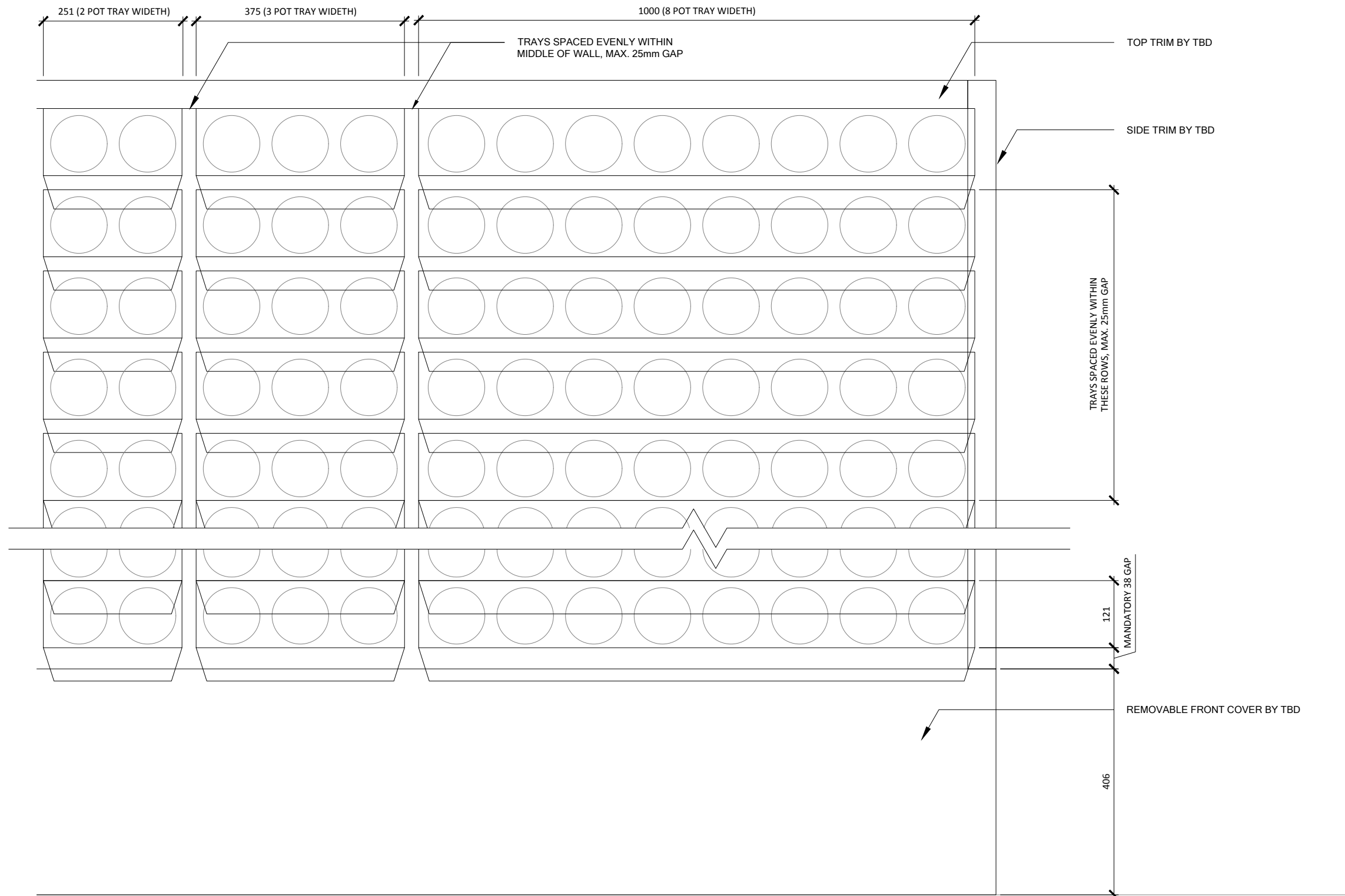
LIGHTING
LED or Metal Halide Lights recommended

Duration	10-12 hrs/day
Color Temp	4000-4500K
Intensity	150fc / 1500 lux (Even Flood)

< 2400	OK			
< 4000	OK	OK		
> 4000		OK	OK	OK

MAINT. ACCESS
Walls over 40' / 12m need additional considerations. See GSKY maintenance manual.

GV2.1



1 TRAY LAYOUT
SCALE: 1:8

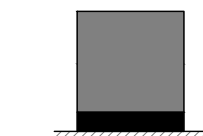


VERSA WALL®

VTB-C2 TRAY LAYOUT

VER. 1.1

297x420 mm (A3)



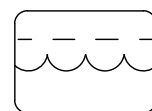
ABOVE FLOOR

Weight is 10lbs/ft² 50kg/m²

51 mm	SIDE/TOP
406 mm	BOTTOM

TRIM

NOTE: pipes and edges of trays will be exposed unless recessed or covered



TANKS BELOW WALL

For 50 ft² / 5 m² to 5000 ft² / 500 m²
Min width 50 3/4" / 129cm

SERVICE			
MANUAL	N/A	N/A	N/A
AUTOMATED	At Wall	At Wall	At Wall

IRRIGATION

It is recommended to install a drain whenever possible. Require GSKy's consultation for > 35' / 10.5 m height wall.



LIGHTING

LED or Metal Halide Lights recommended

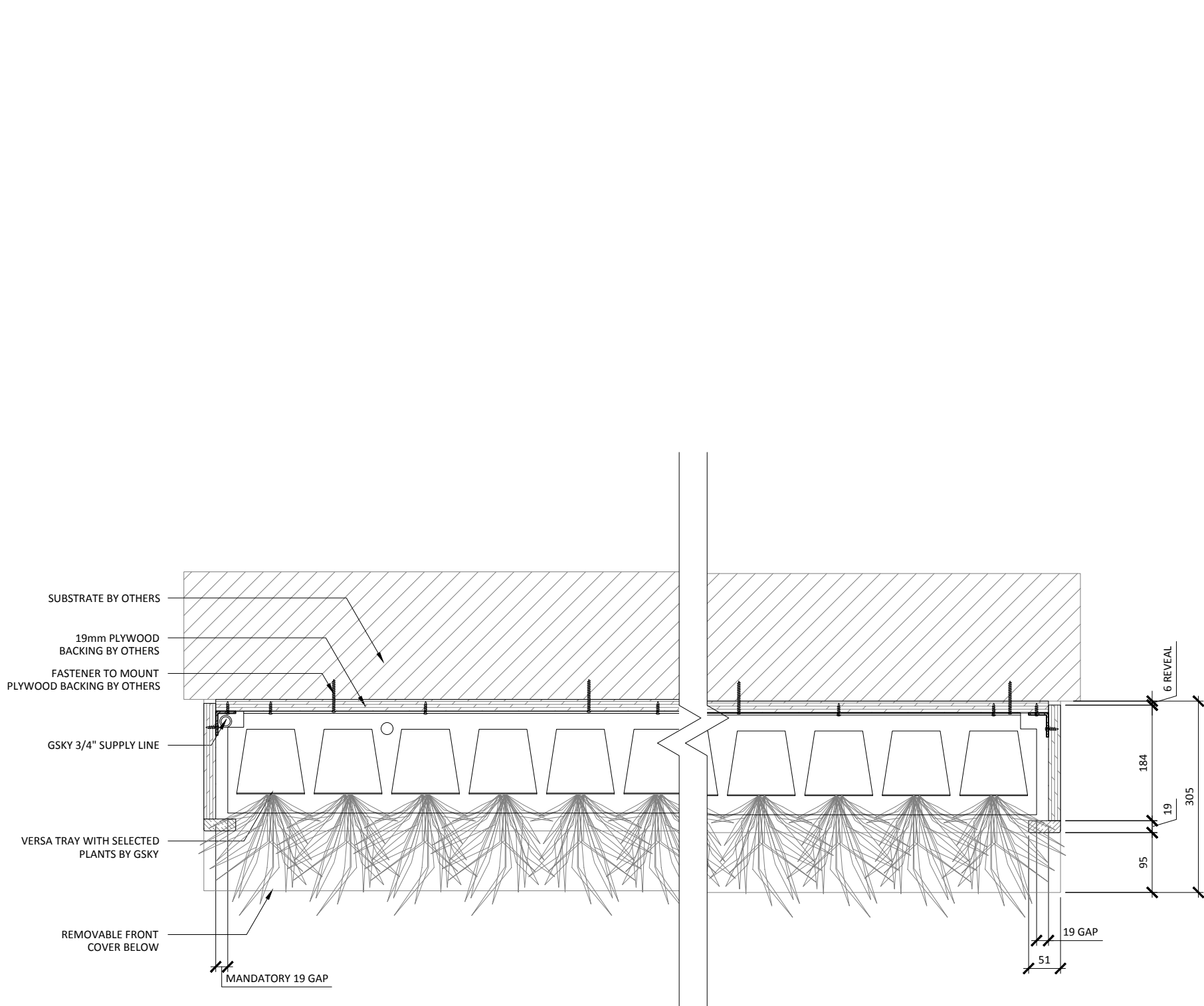
Duration
10-12 hrs/day
Color Temp
4000-4500K
Intensity
150fc / 1500 lux
(Even Flood)

< 2400	OK			
< 4000	OK	OK		
> 4000		OK	OK	OK

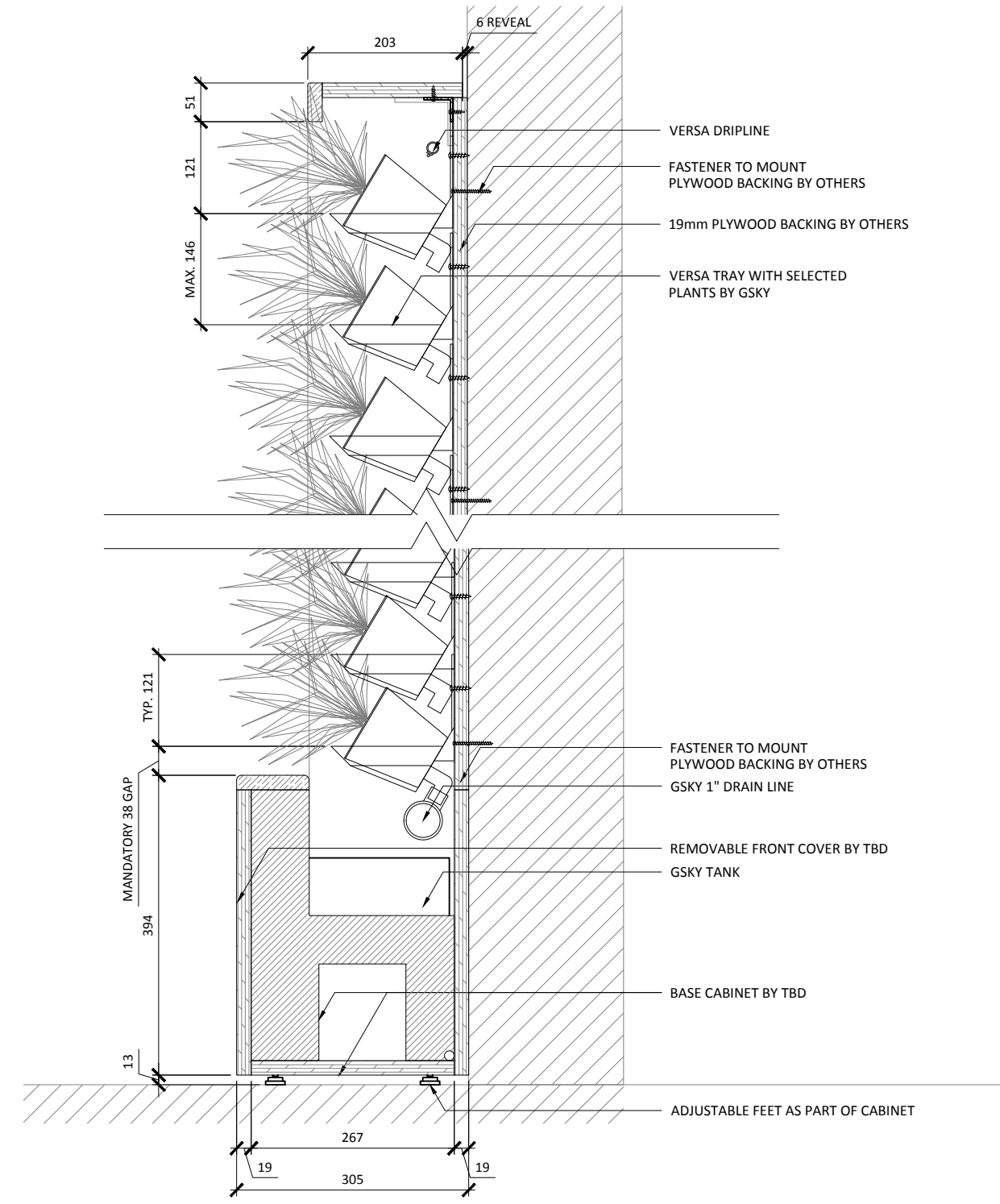
MAINT. ACCESS

Walls over 40' / 12m need additional considerations. See GSKy maintenance manual.

GV3.0



1 PLAN DETAIL
SCALE: 1:8



2 SECTION DETAIL
SCALE: 1:8



VERSA WALL®

VTB-C2 DETAILS

VER. 1.1 297x420 mm (A3)

ABOVE FLOOR
Weight is 10lbs/ft² 50kg/m²

51 mm	SIDE/TOP
406 mm	BOTTOM

TRIM
NOTE: pipes and edges of trays will be exposed unless recessed or covered

TANKS BELOW WALL
For 50 ft² / 5 m² to 5000 ft² / 500 m²
Min width 50 3/4" / 129cm

SERVICE			
MANUAL	N/A	N/A	N/A
AUTOMATED	At Wall	At Wall	At Wall

IRRIGATION
It is recommended to install a drain whenever possible. Require GSKY's consultation for > 35' / 10.5 m height wall.

LIGHTING
LED or Metal Halide Lights recommended

Duration
10-12 hrs/day
Color Temp
4000-4500K
Intensity
150fc / 1500 lux (Even Flood)

< 2400	OK			
< 4000	OK	OK		
> 4000		OK	OK	OK

MAINT. ACCESS
Walls over 40' / 12m need additional considerations. See GSKY maintenance manual.

GV3.1