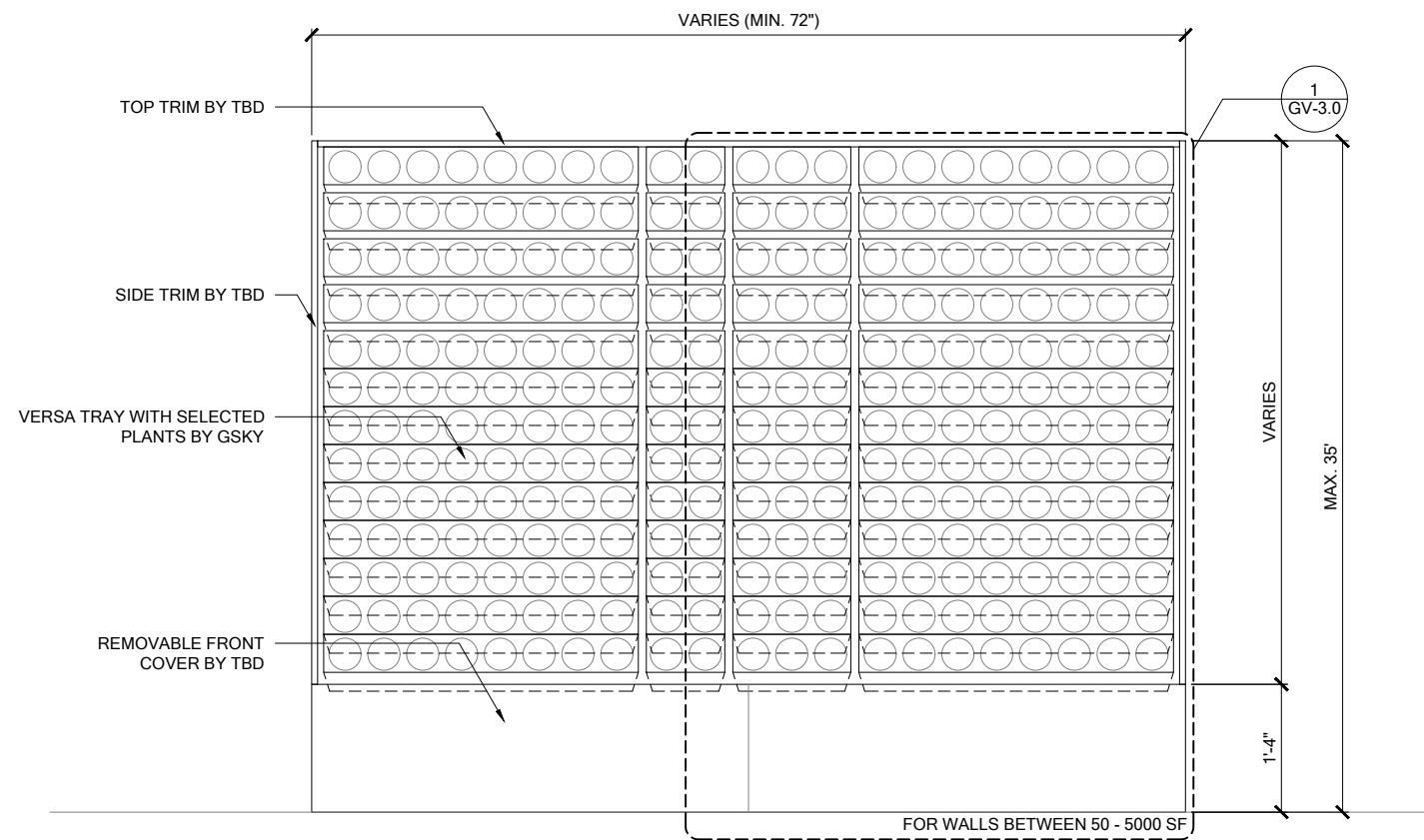


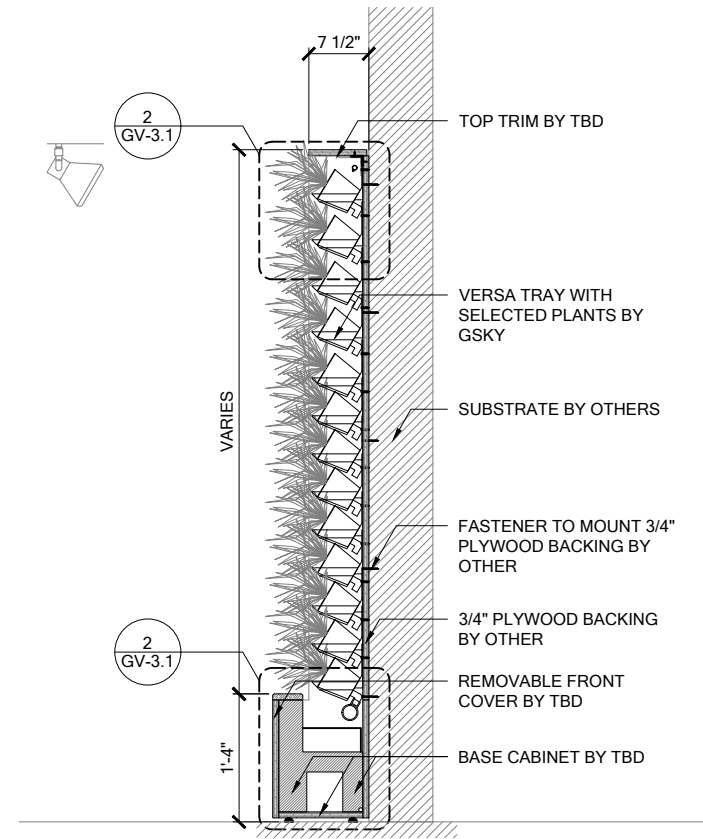
- TOP TRIM BY TBD
- 3/4" PLYWOOD BACKING BY OTHERS
- GSKY 3/4" SUPPLY LINE
- VERSA TRAYS
- VERSA DRIPLINE
- SIDE TRIM BY TBD
- REMOVABLE FRONT COVER BY TBD
- GSKY TANK
- BASE CABINET BY TBD
- GSKY PCU
- CABINET END CAP BY TBD



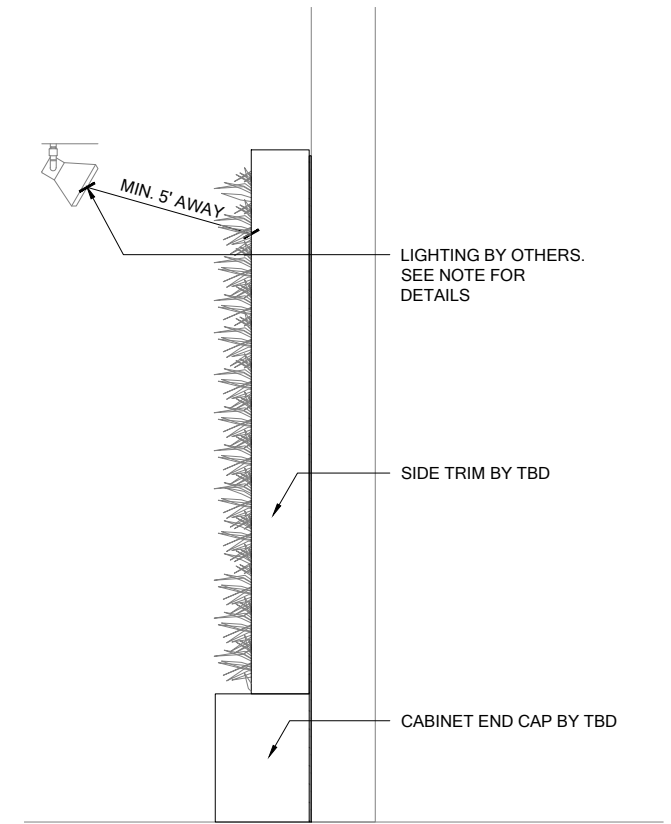
VERSA WALL[®]
 TO THE FLOOR / TANKS BELOW WALL
 VTB-C0



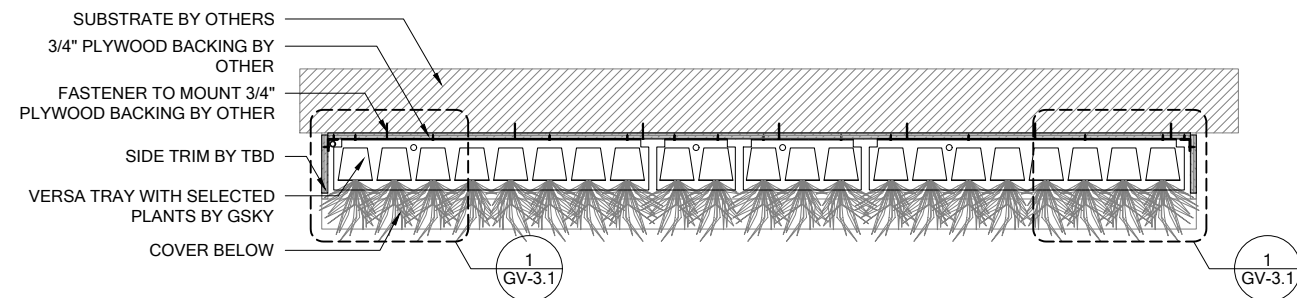
1 ELEVATION
SCALE 1/2" = 1'-0"



3 SECTION
SCALE 1/2" = 1'-0"



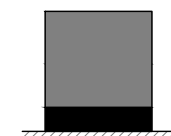
4 SIDE
SCALE 1/2" = 1'-0"



2 PLAN
SCALE 1/2" = 1'-0"



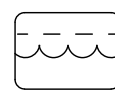
VERSA WALL[®]
VTB-C0 GENERAL OVERVIEW
VER. 1.1 11x17" (A3)



TO FLOOR
Weight is 10lbs/ft² / 50kg/m²

3/4" SIDE/TOP
16" BOTTOM

TRIM
Pre-finished or unfinished
See gsky.com for details.



TANKS BELOW WALL
For 50 ft² / 5 m² to 5000 ft² / 500 m²
Min width 72" / 183cm

SERVICE			
MANUAL	In Building	In Building	Optional
AUTOMATED	At Wall	At Wall	Optional

IRRIGATION
It is recommended to install a drain whenever possible. Pump distance to the top of the wall must be < 35' / 10.5 m.



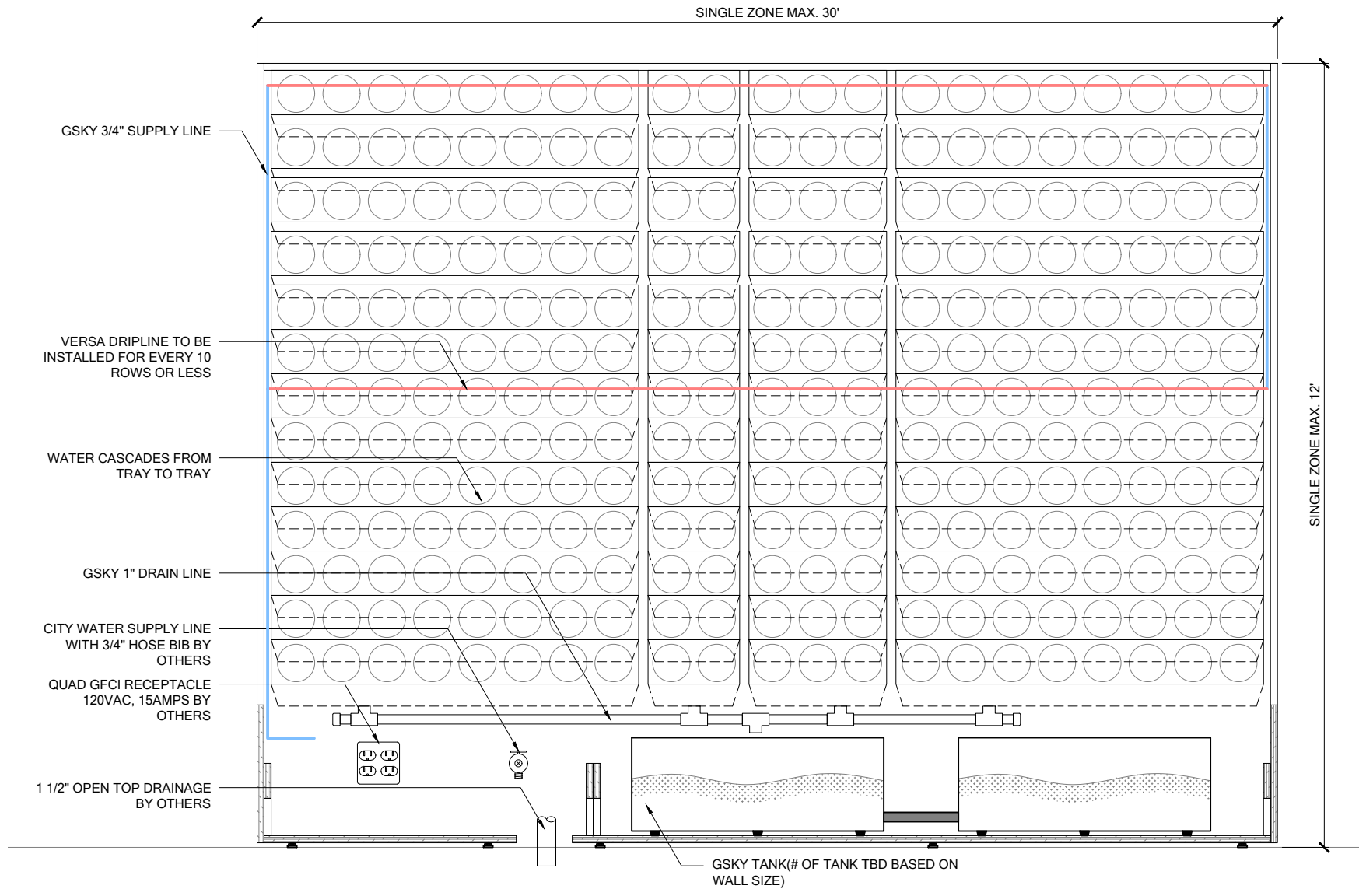
LIGHTING
LED or Metal Halide Lights recommended

Duration
10-12 hrs/day
Color Temp
4000-4500K
Intensity
150fc / 1500 lux
(Even Flood)

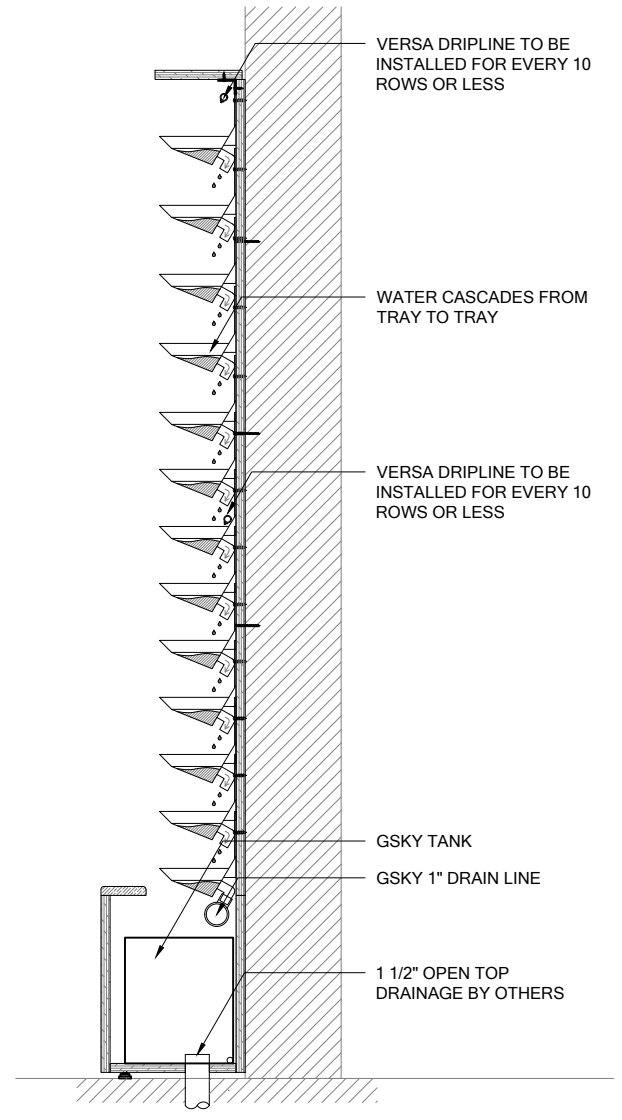
< 8'	OK			
< 13'	OK	OK		
> 13'		OK	OK	OK

MAINT. ACCESS
Walls over 40' / 12m need additional considerations. See GSKy maintenance manual.

GV1.0



1 ELEVATION
SCALE 3/4" = 1'-0"



2 SECTION
SCALE 3/4" = 1'-0"



VERSA WALL[®]
VTB-C0 IRRIGATION OVERVIEW
VER. 1.1 11x17" (A3)

TO FLOOR
Weight is 10lbs/ft² 50kg/m²

TRIM
3/4" SIDE/TOP
16" BOTTOM
Pre-finished or unfinished
See gsky.com for details.

TANKS BELOW WALL
For 50 ft² / 5 m² to 5000 ft² / 500 m²
Min width 72" / 183cm

SERVICE			
MANUAL	In Building	In Building	Optional
AUTOMATED	At Wall	At Wall	Optional

IRRIGATION
It is recommended to install a drain whenever possible. Pump distance to the top of the wall must be < 35' / 10.5 m.

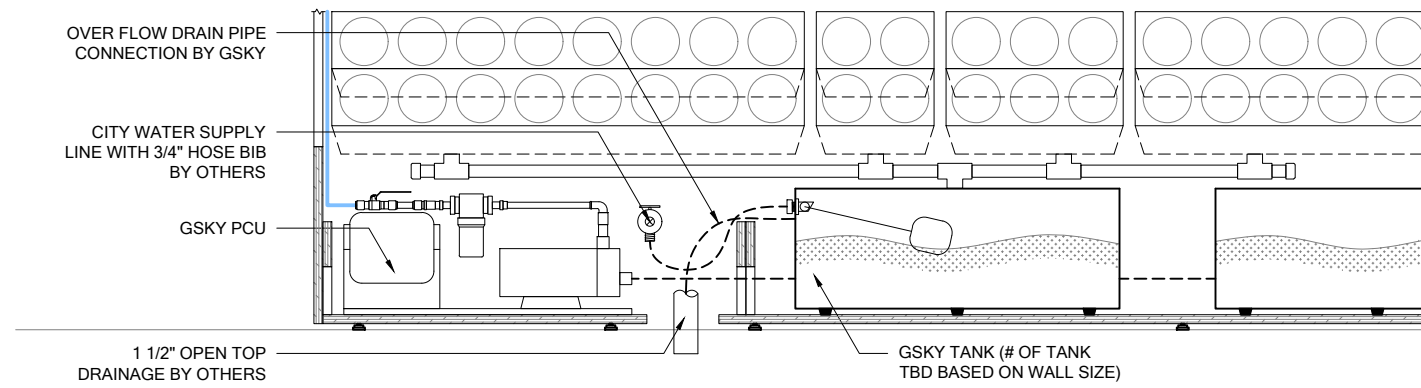
Duration	Color Temp	Intensity
10-12 hrs/day	4000-4500K	150fc / 1500 lux (Even Flood)

LIGHTING
LED or Metal Halide Lights recommended

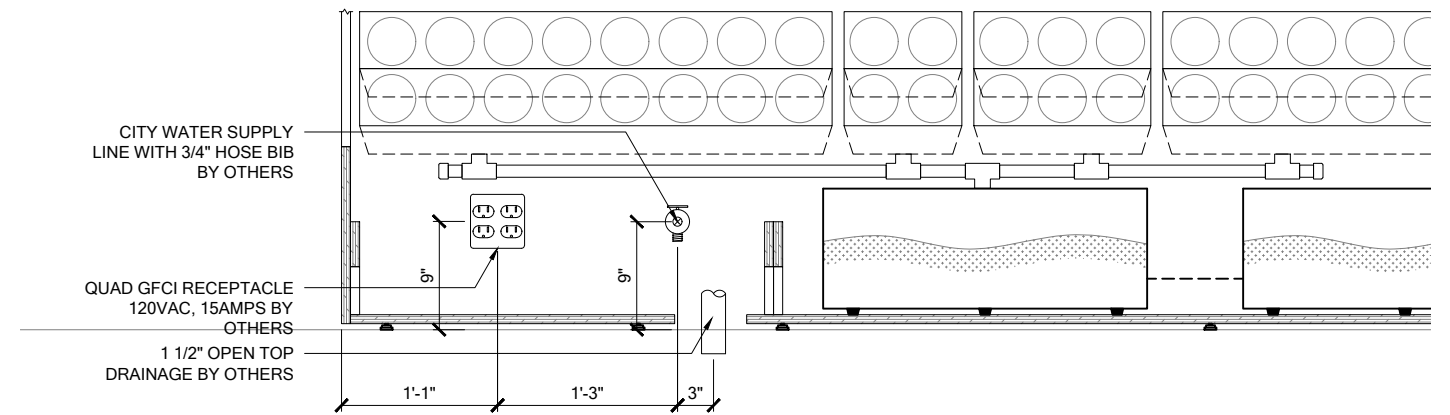
Height	Access	Access	Access
< 8'	OK		
< 13'	OK	OK	
> 13'		OK	OK

MAINT. ACCESS
Walls over 40' / 12m need additional considerations. See GSKy maintenance manual.

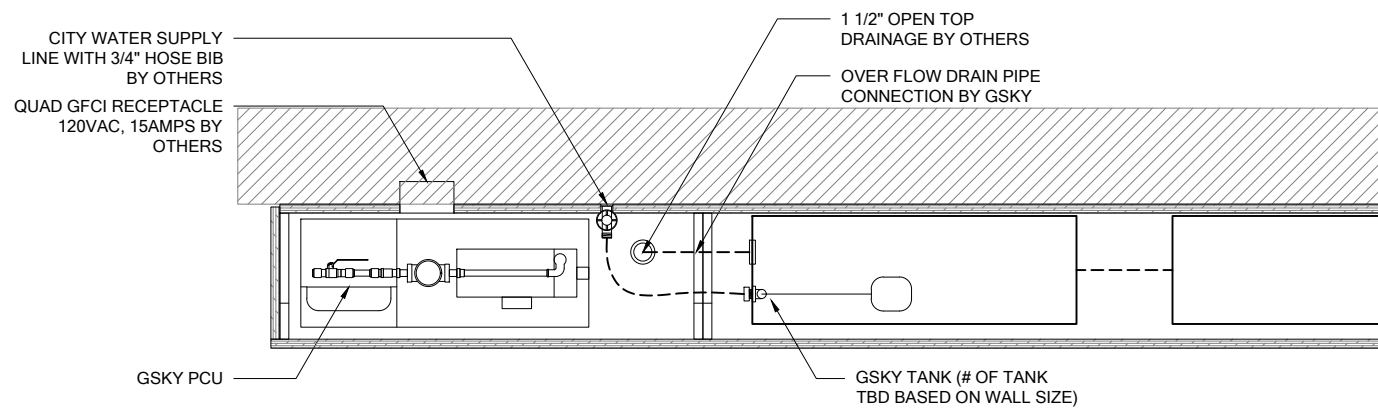
GV2.0



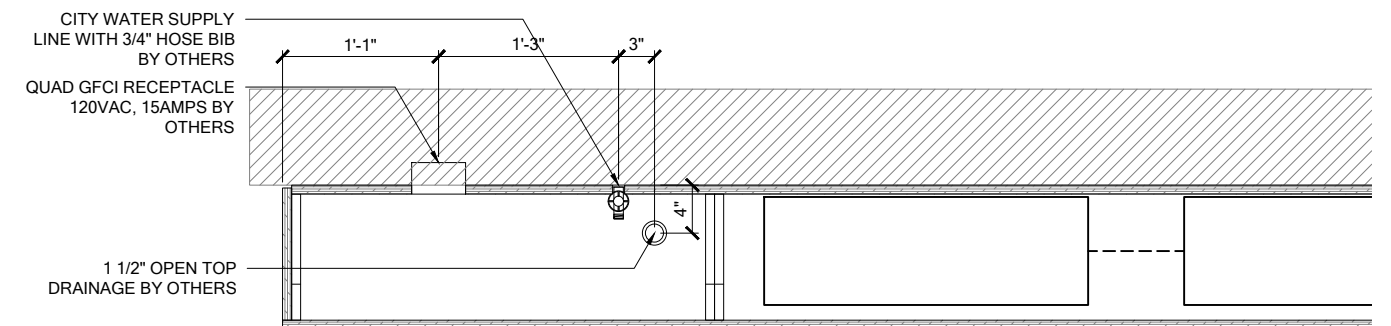
1 IRRIGATION LAYOUT - ELEVATION
SCALE 1/2" = 1'-0"



3 MECH. LAYOUT - ELEVATION
SCALE 1/2" = 1'-0"



2 IRRIGATION LAYOUT - PLAN
SCALE 1/2" = 1'-0"



4 MECH. LAYOUT - PLAN
SCALE 1/2" = 1'-0"

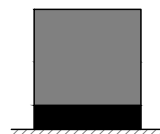


VERSA WALL®

VTB-C0 IRRIGATION SYSTEM LEFT

VER. 1.1

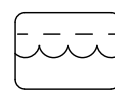
11x17" (A3)



TO FLOOR
Weight is 10lbs/ft² 50kg/m²

3/4"	SIDE/TOP
16"	BOTTOM

TRIM
Pre-finished or unfinished
See gsky.com for details.



TANKS BELOW WALL
For 50 ft² / 5 m² to 5000 ft² / 500 m²
Min width 72" / 183cm

SERVICE			
MANUAL	In Building	In Building	Optional
AUTOMATED	At Wall	At Wall	Optional

IRRIGATION
It is recommended to install a drain whenever possible. Pump distance to the top of the wall must be < 35' / 10.5 m.



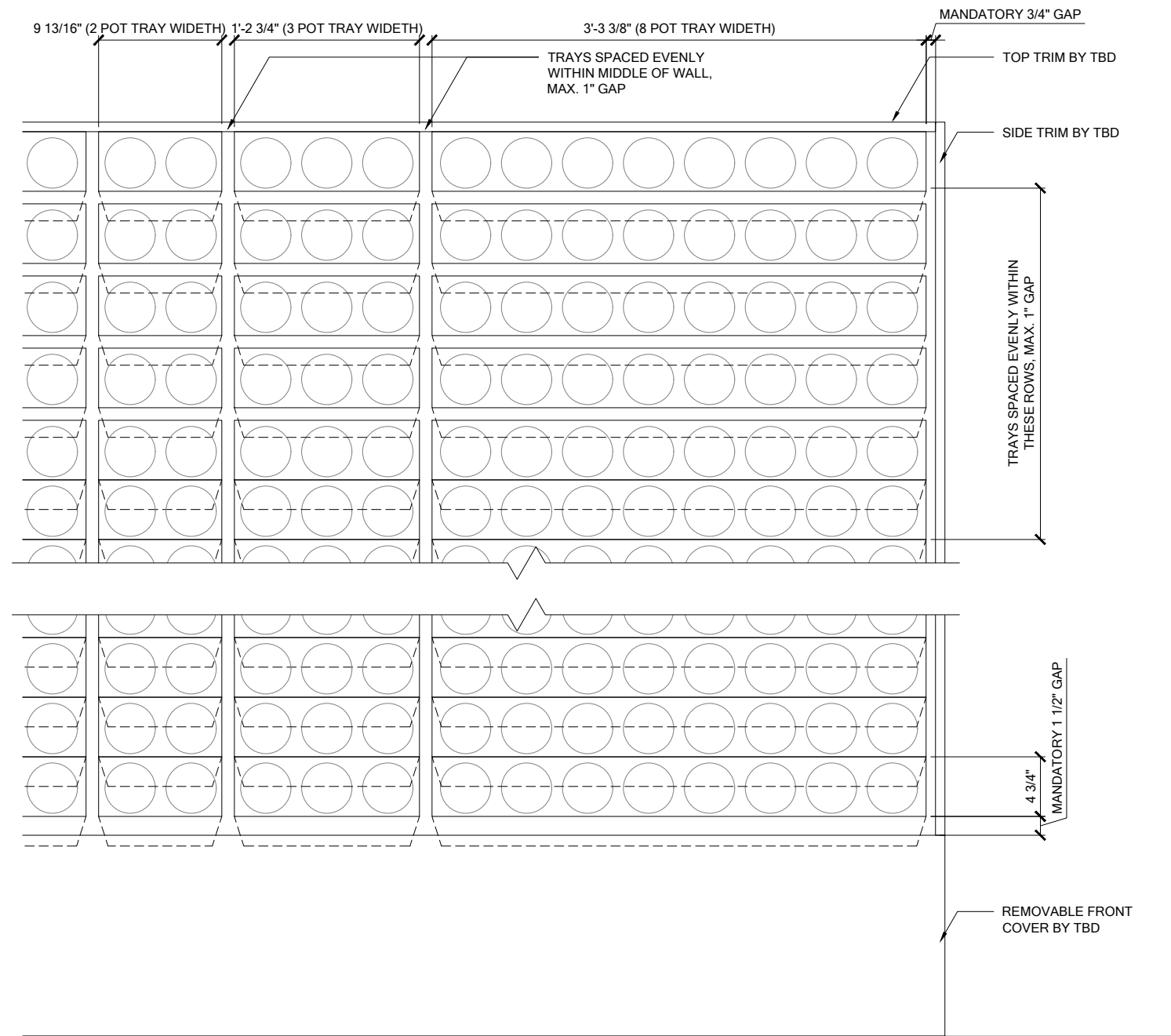
LIGHTING
LED or Metal Halide Lights recommended

Duration
10-12 hrs/day
Color Temp
4000-4500K
Intensity
150fc / 1500 lux (Even Flood)

< 8'	OK			
< 13'	OK	OK		
> 13'		OK	OK	OK

MAINT. ACCESS
Walls over 40' / 12m need additional considerations. See GSKy maintenance manual.

GV2.1



1 TRAY LAYOUT
SCALE 1" = 1'-0"

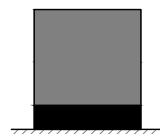


VERSA WALL[®]

VTB-C0 TRAY LAYOUT

VER. 1.1

11x17" (A3)



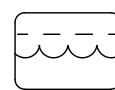
TO FLOOR

Weight is 10lbs/ft² / 50kg/m²

3/4"	SIDE/TOP
16"	BOTTOM

TRIM

Pre-finished or unfinished
See gsky.com for details.



TANKS BELOW WALL

For 50 ft² / 5 m² to 5000 ft² / 500 m²
Min width 72" / 183cm

SERVICE			
MANUAL	In Building	In Building	Optional
AUTOMATED	At Wall	At Wall	Optional

IRRIGATION

It is recommended to install a drain whenever possible. Pump distance to the top of the wall must be < 35' / 10.5 m.



LIGHTING

LED or Metal Halide Lights recommended

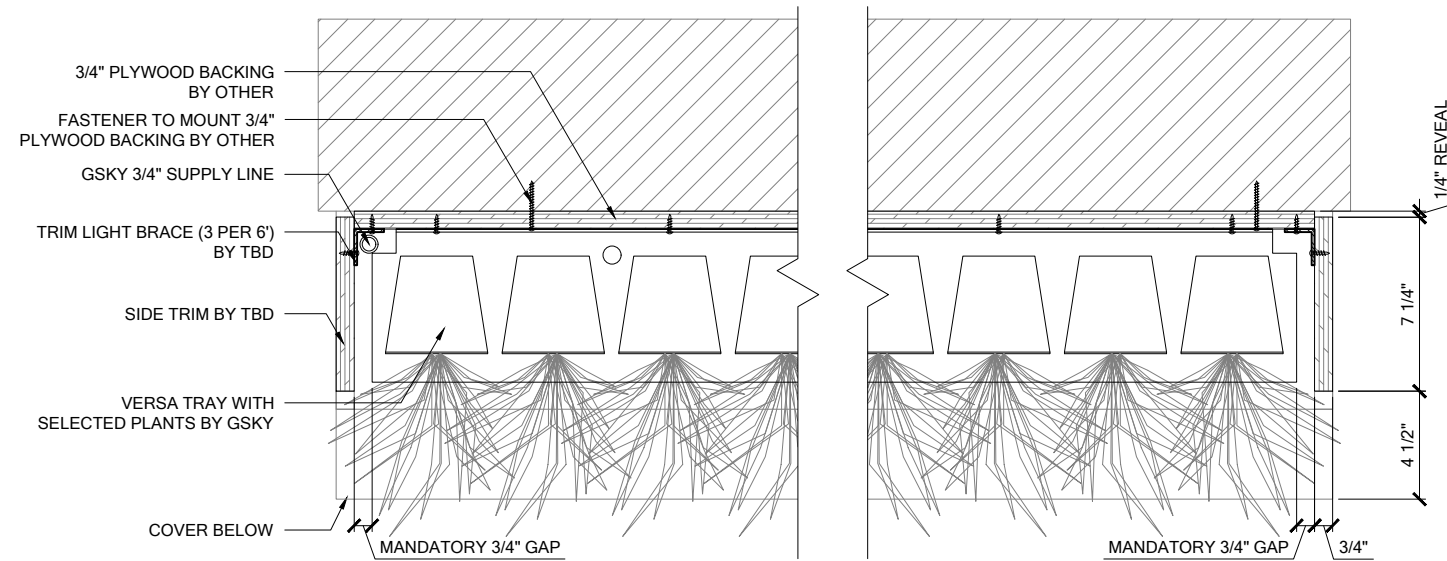
Duration
10-12 hrs/day
Color Temp
4000-4500K
Intensity
150fc / 1500 lux
(Even Flood)

< 8'	OK		
< 13'	OK	OK	
> 13'		OK	OK

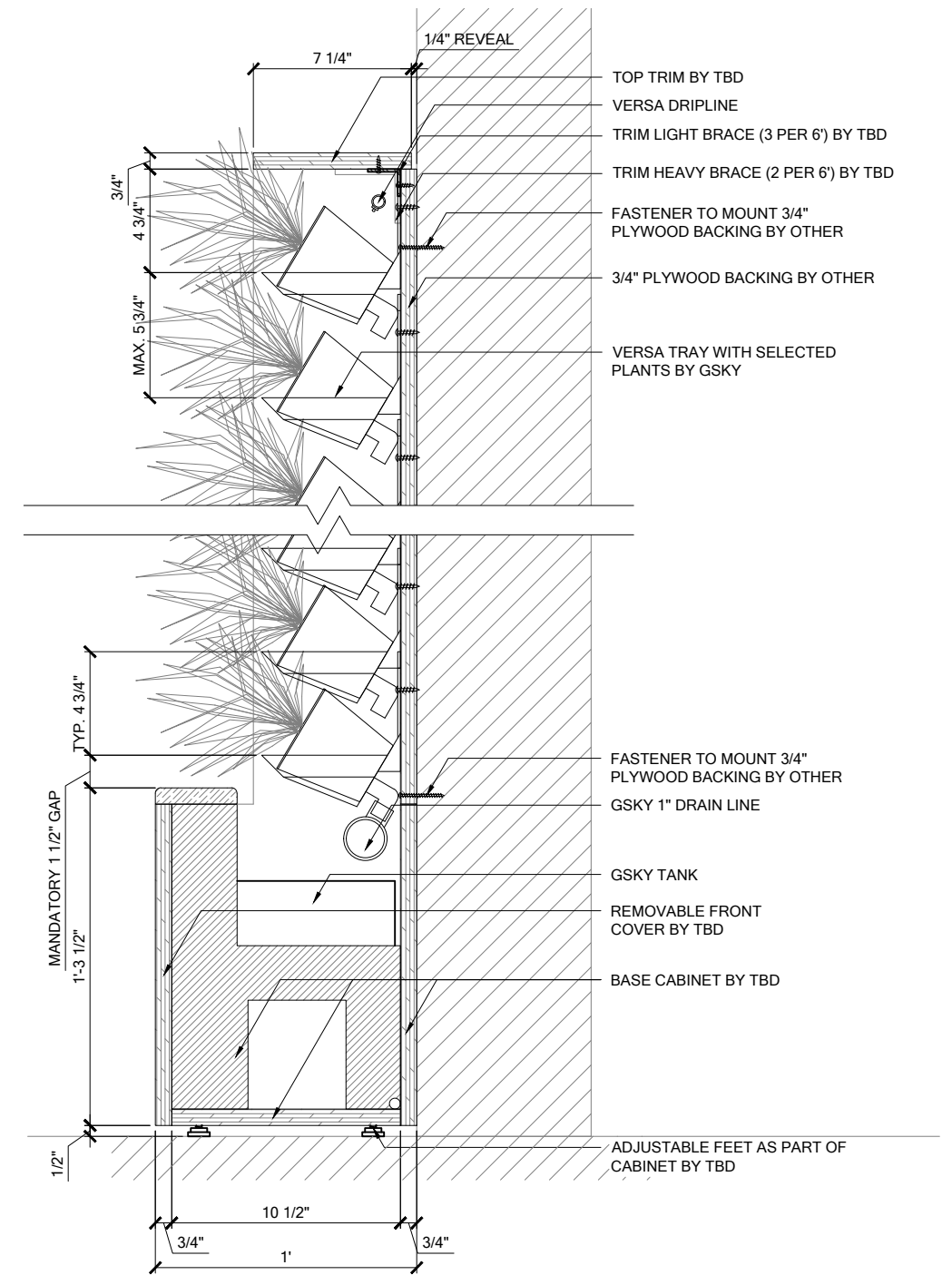
MAINT. ACCESS

Walls over 40' / 12m need additional considerations. See GSKy maintenance manual.

GV3.0



1 PLAN
SCALE 1 1/2" = 1'-0"



2 SECTION
SCALE 1 1/2" = 1'-0"

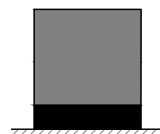


VERSA WALL®

VTB-C0 DETAILS

VER. 1.1

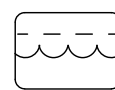
11x17" (A3)



TO FLOOR
Weight is 10lbs/ft² 50kg/m²

3/4"	SIDE/TOP
16"	BOTTOM

TRIM
Pre-finished or unfinished
See gsky.com for details.



TANKS BELOW WALL
For 50 ft² / 5 m² to 5000 ft² / 500 m²
Min width 72" / 183cm

SERVICE			
MANUAL	In Building	In Building	Optional
AUTOMATED	At Wall	At Wall	Optional

IRRIGATION
It is recommended to install a drain whenever possible. Pump distance to the top of the wall must be < 35' / 10.5 m.



LIGHTING
LED or Metal Halide Lights recommended

Duration
10-12 hrs/day
Color Temp
4000-4500K
Intensity
150fc / 1500 lux
(Even Flood)

< 8'	OK			
< 13'	OK	OK		
> 13'		OK	OK	OK

MAINT. ACCESS
Walls over 40' / 12m need additional considerations. See GSKY maintenance manual.

GV3.1