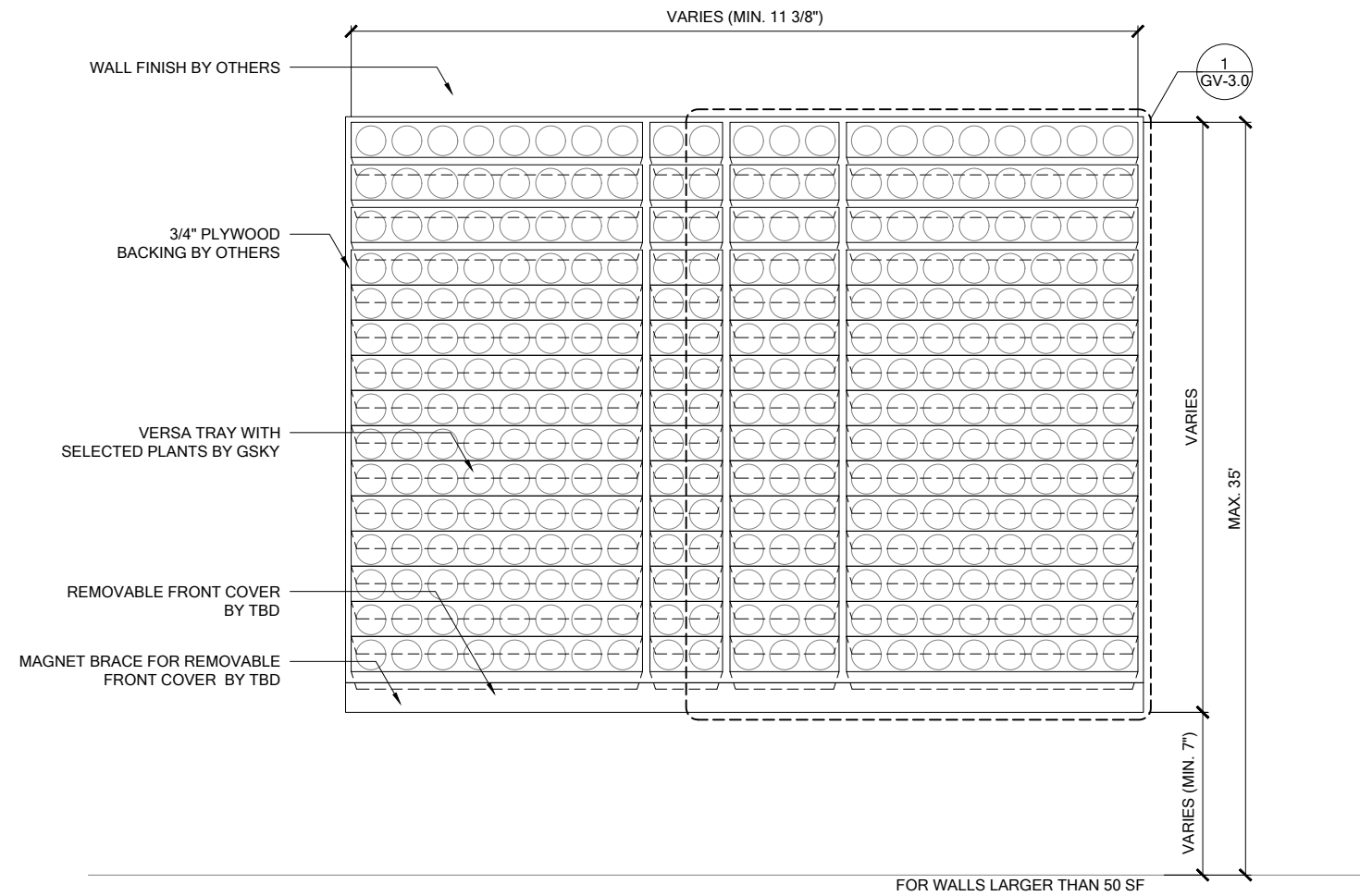
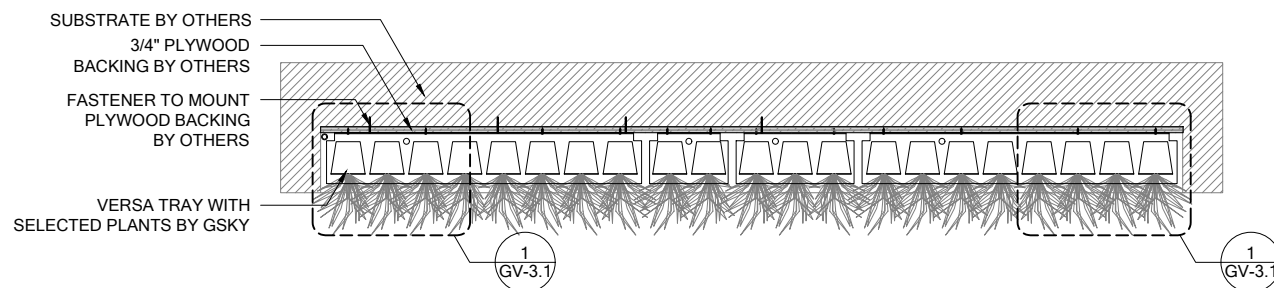


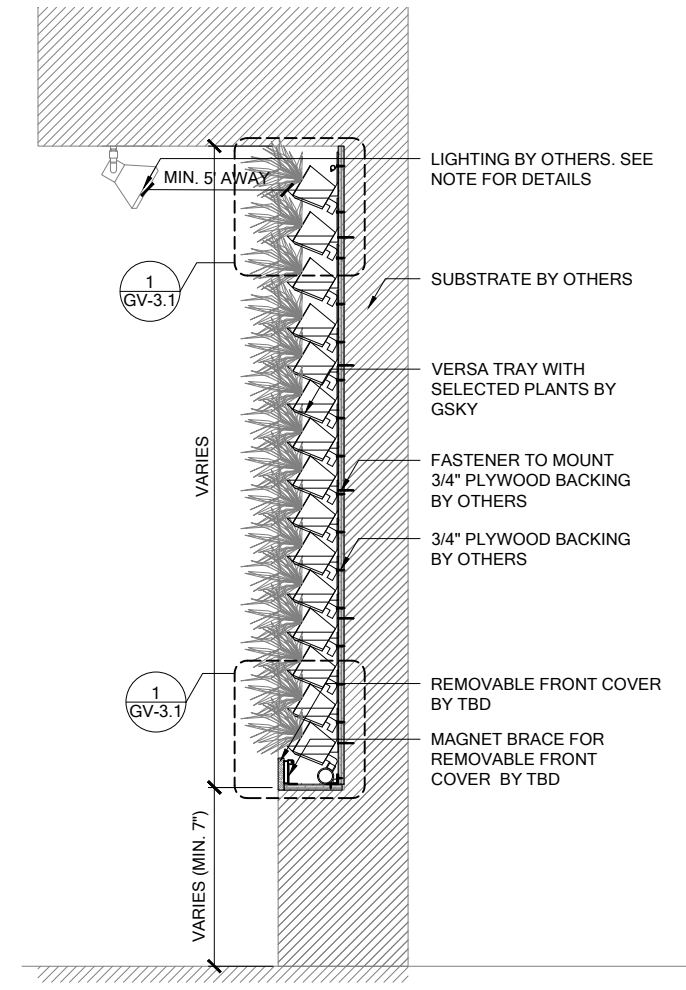
VERSA WALL®
 ABOVE THE FLOOR / REMOTE TANKS
 VAT-4N



1 ELEVATION
SCALE 1/2" = 1'-0"



2 PLAN
SCALE 1/2" = 1'-0"



3 SECTION
SCALE 1/2" = 1'-0"



VERSA WALL[®]
VAT-4N GENERAL OVERVIEW
VER. 1.1 11x17" (A3)

ABOVE FLOOR
Weight is 10lbs/ft² / 50kg/m²

TRIM
4" BOTTOM
NOTE: pipes and edges of trays will be exposed unless recessed or covered.

REMOTE TANKS
For 50 ft² / 5 m² to any size
Min width 11 1/2" / 29cm

SERVICE			
MANUAL	In Building	In Building	Optional
AUTOMATED	At Tank	At Tank	Optional

IRRIGATION
It is recommended to install a drain whenever possible. Pump distance to the top of the wall must be < 35' / 10.5 m. Tanks must be installed at a lower elevation than the wall.

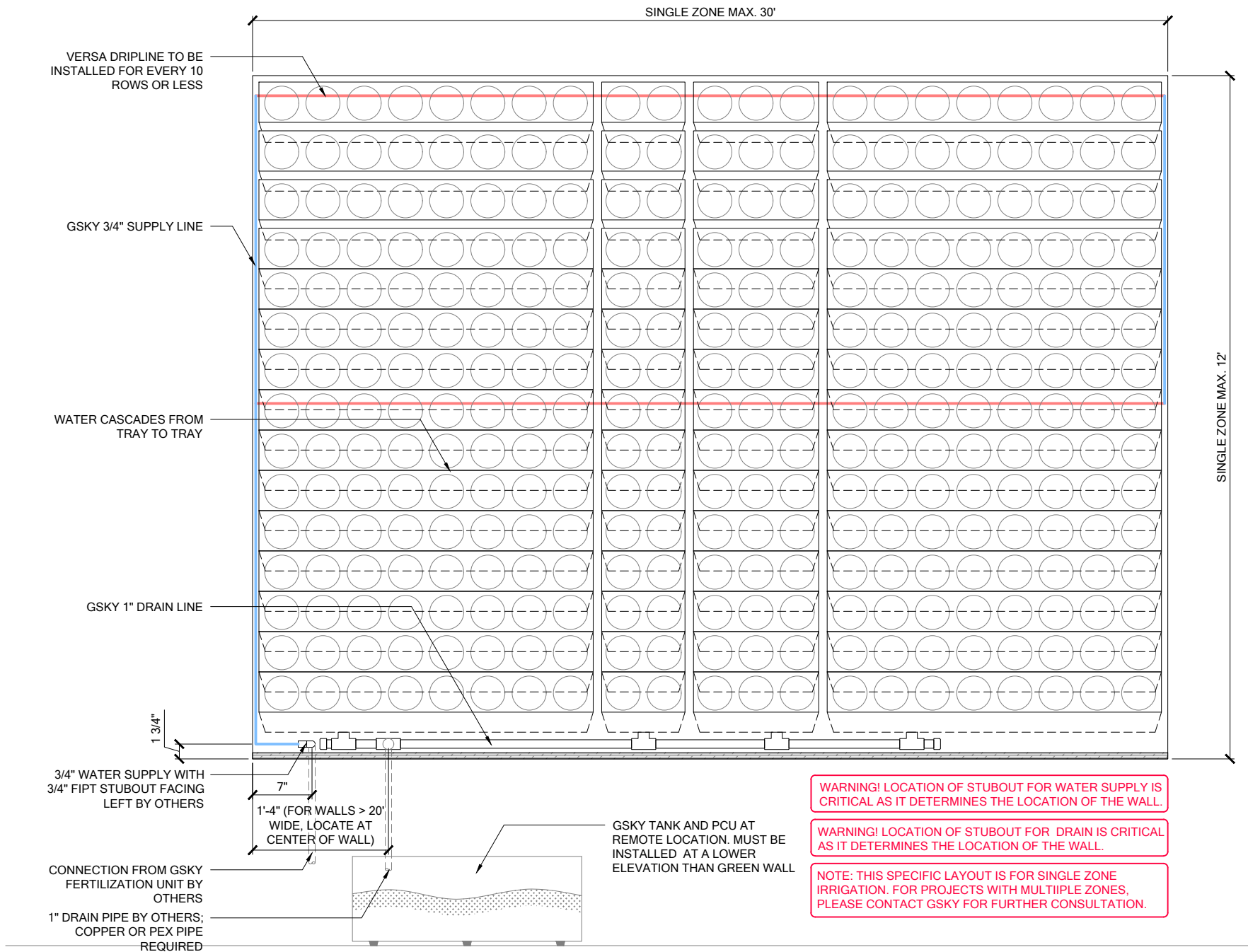
Duration	Color Temp	Intensity
10-12 hrs/day	4000-4500K	150fc / 1500 lux (Even Flood)

LIGHTING
LED or Metal Halide Lights recommended

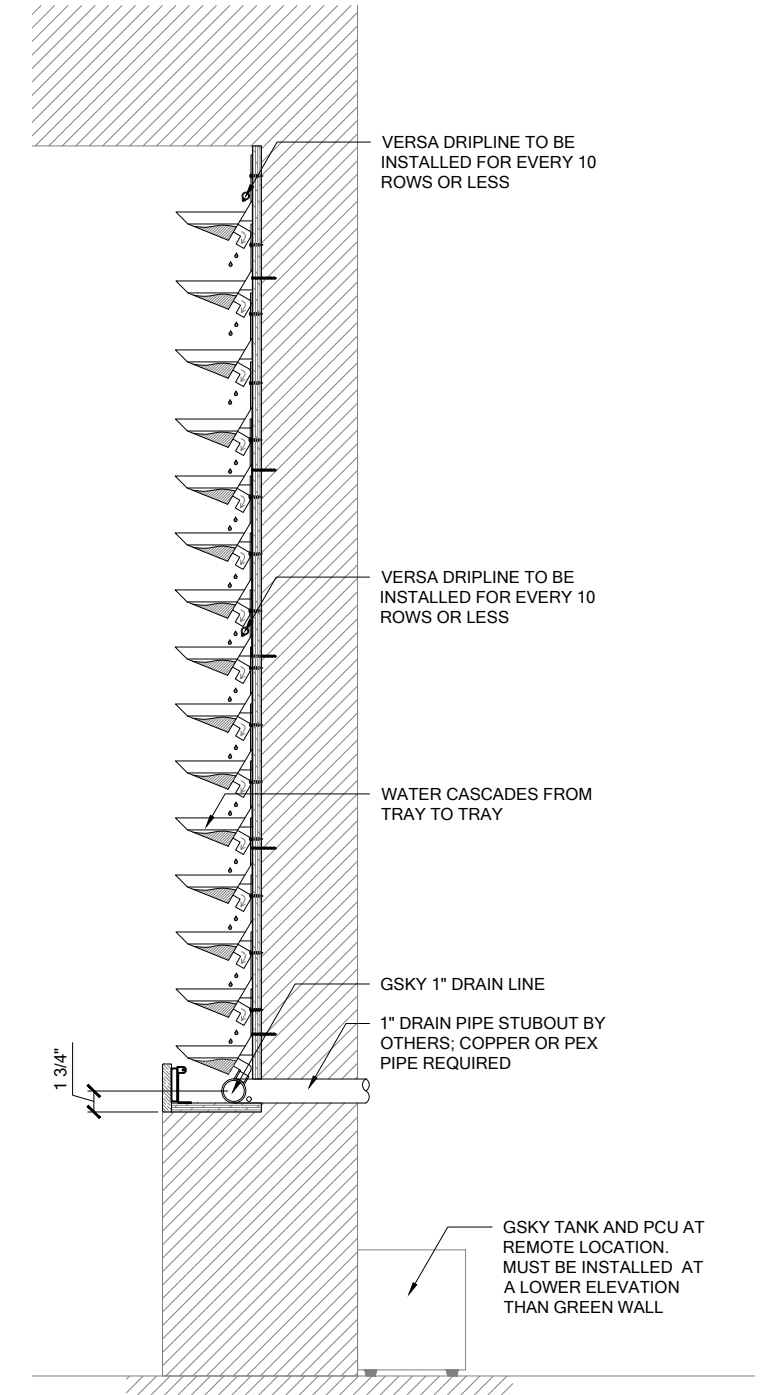
Height	Access	Access	Access
< 8'	OK		
< 13'	OK	OK	
> 13'		OK	OK

MAINT. ACCESS
Walls over 40' / 12m need additional considerations. See GSKy maintenance manual.

GV1.0



1 ELEVATION
SCALE 3/4" = 1'-0"



2 SECTION
SCALE 3/4" = 1'-0"

WARNING! LOCATION OF STUBOUT FOR WATER SUPPLY IS CRITICAL AS IT DETERMINES THE LOCATION OF THE WALL.

WARNING! LOCATION OF STUBOUT FOR DRAIN IS CRITICAL AS IT DETERMINES THE LOCATION OF THE WALL.

NOTE: THIS SPECIFIC LAYOUT IS FOR SINGLE ZONE IRRIGATION. FOR PROJECTS WITH MULTIPLE ZONES, PLEASE CONTACT GSKY FOR FURTHER CONSULTATION.



VERSA WALL[®]
VAT-4N IRRIGATION OVERVIEW
VER. 1.1 11x17" (A3)

ABOVE FLOOR
Weight is 10lbs/ft² 50kg/m²

TRIM
4" BOTTOM
NOTE: pipes and edges of trays will be exposed unless recessed or covered.

REMOTE TANKS
For 50 ft² / 5 m² to any size
Min width 11 1/2" / 29cm

SERVICE			
MANUAL	In Building	In Building	Optional
AUTOMATED	At Tank	At Tank	Optional

IRRIGATION
It is recommended to install a drain whenever possible. Pump distance to the top of the wall must be < 35' / 10.5 m. Tanks must be installed at a lower elevation than the wall.

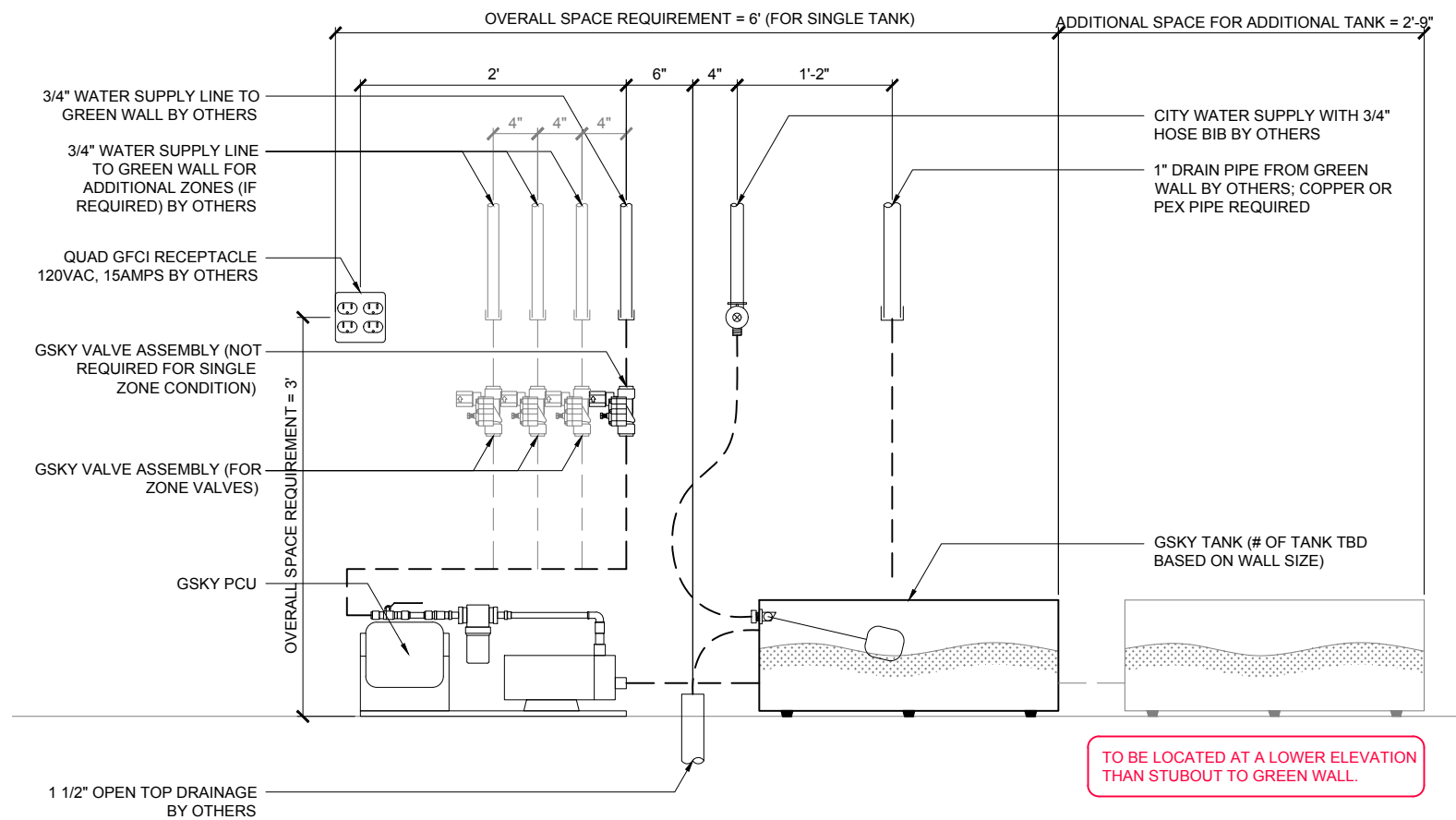
LIGHTING
LED or Metal Halide Lights recommended

Duration
10-12 hrs/day
Color Temp
4000-4500K
Intensity
150fc / 1500 lux (Even Flood)

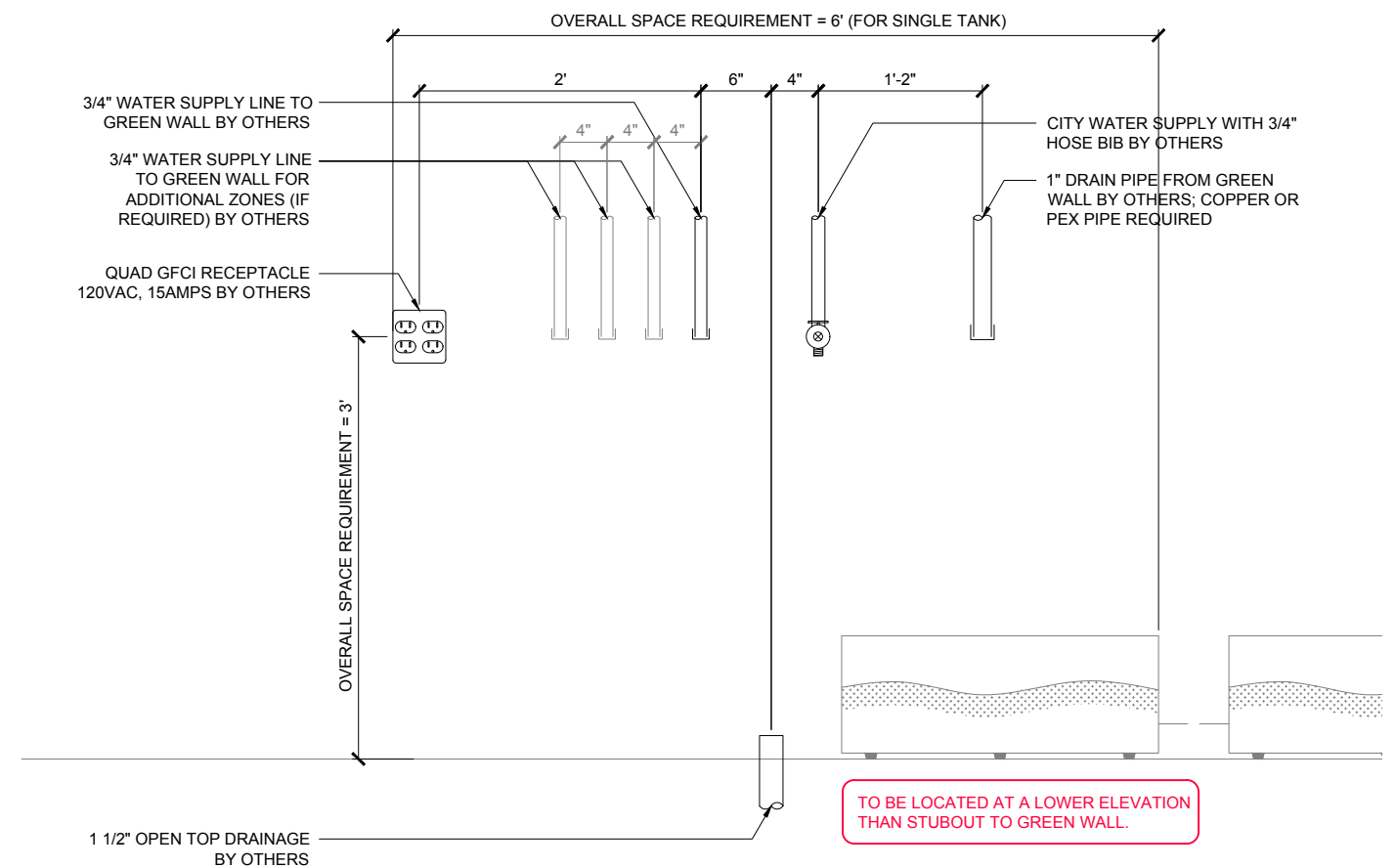
< 8'	OK			
< 13'	OK	OK		
> 13'		OK	OK	OK

MAINT. ACCESS
Walls over 40' / 12m need additional considerations. See Gsky maintenance manual.

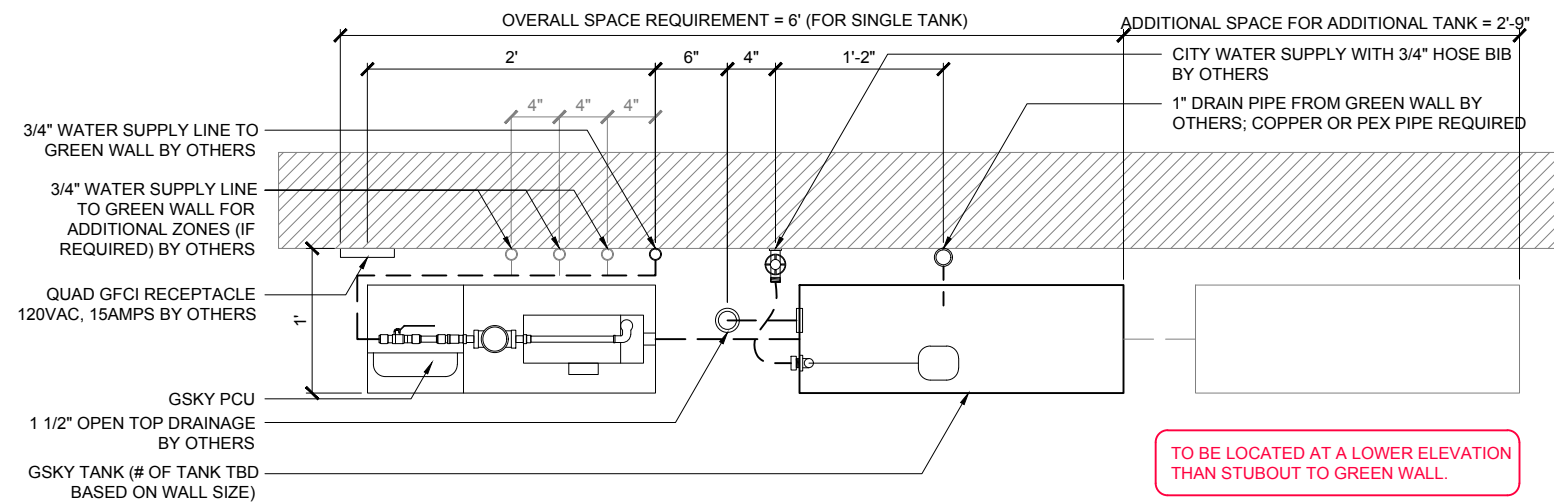
GV2.0



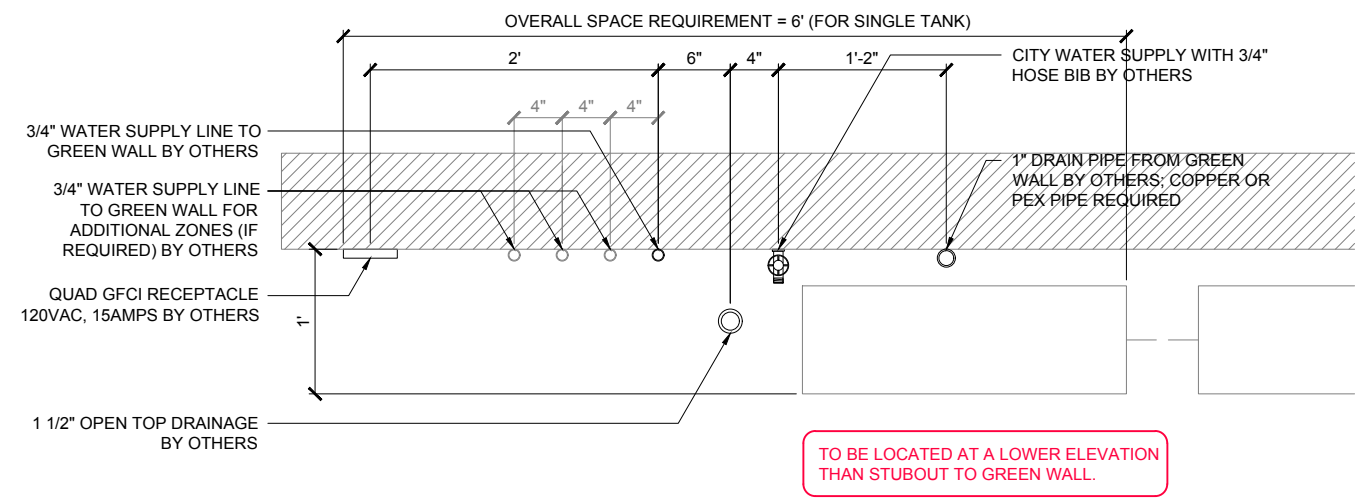
1 IRRIGATION LAYOUT - ELEVATION
SCALE 3/4" = 1'-0"



3 MECH. LAYOUT - ELEVATION
SCALE 3/4" = 1'-0"



2 IRRIGATION LAYOUT - PLAN
SCALE 3/4" = 1'-0"



4 MECH. LAYOUT - PLAN
SCALE 3/4" = 1'-0"



VERSA WALL[®]
VAT-4N IRRIGATION SYSTEM
VER. 1.1 11x17" (A3)

ABOVE FLOOR
Weight is 10lbs/ft² 50kg/m²

TRIM
NOTE: pipes and edges of trays will be exposed unless recessed or covered.

REMOTE TANKS
For 50 ft² / 5 m² to any size
Min width 11 1/2" / 29cm

SERVICE			
MANUAL	In Building	In Building	Optional
AUTOMATED	At Tank	At Tank	Optional

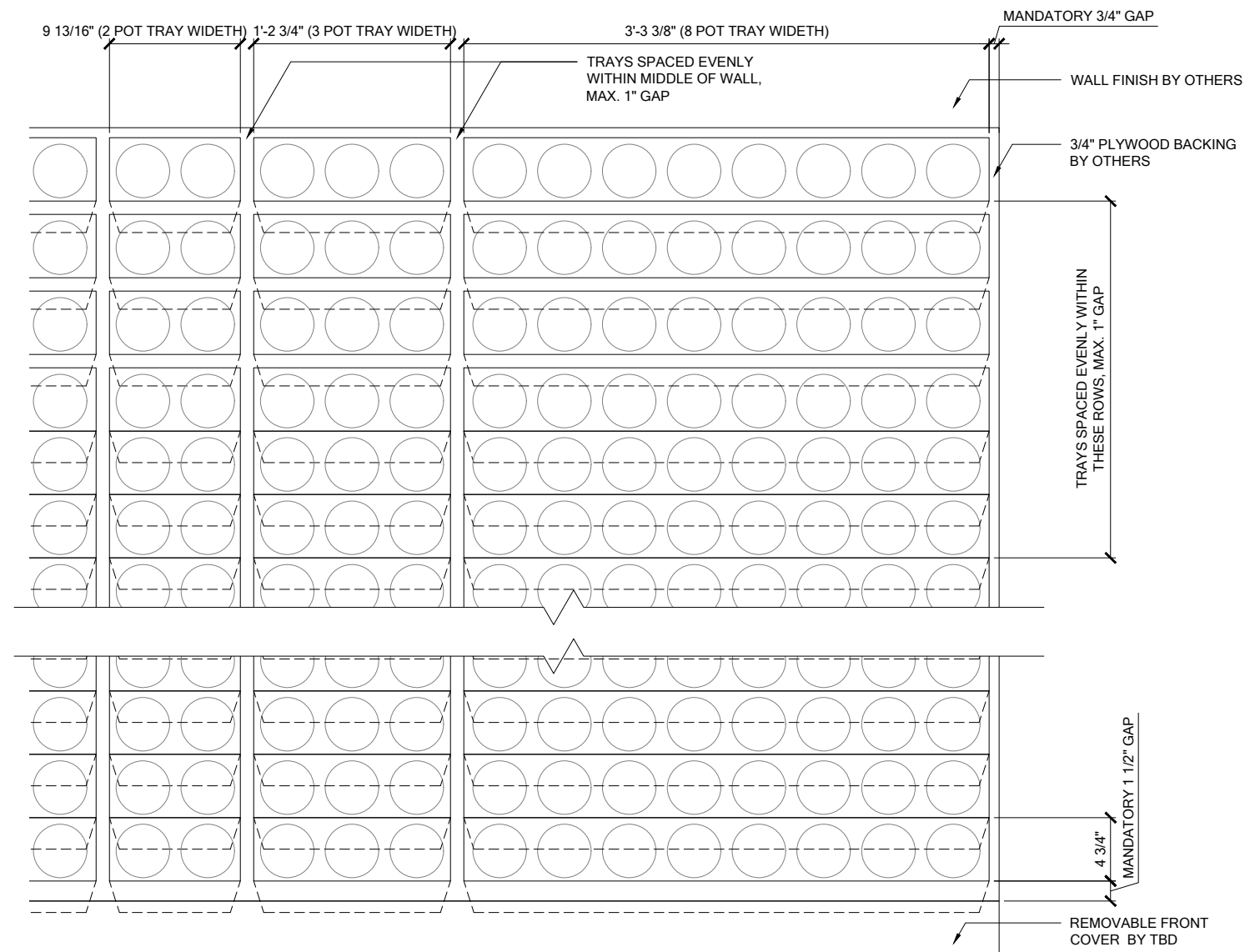
IRRIGATION
It is recommended to install a drain whenever possible. Pump distance to the top of the wall must be < 35' / 10.5 m. Tanks must be installed at a lower elevation than the wall.

LIGHTING
LED or Metal Halide Lights recommended

< 8'	OK			
< 13'	OK	OK		
> 13'	OK	OK	OK	

MAINT. ACCESS
Walls over 40' / 12m need additional considerations. See GSKy maintenance manual.

GV2.1



1 TRAY LAYOUT
SCALE 1" = 1'-0"



VERSA WALL®

VAT-4N TRAY LAYOUT

VER. 1.1

11x17" (A3)

ABOVE FLOOR
Weight is 10lbs/ft² 50kg/m²

-	SIDE/TOP
4"	BOTTOM

TRIM
NOTE: pipes and edges of trays will be exposed unless recessed or covered.

REMOTE TANKS
For 50 ft² / 5 m² to any size
Min width 11 3/4" / 29cm

SERVICE			
MANUAL	In Building	In Building	Optional
AUTOMATED	At Tank	At Tank	Optional

IRRIGATION
It is recommended to install a drain whenever possible. Pump distance to the top of the wall must be < 35' / 10.5 m. Tanks must be installed at a lower elevation than the wall.

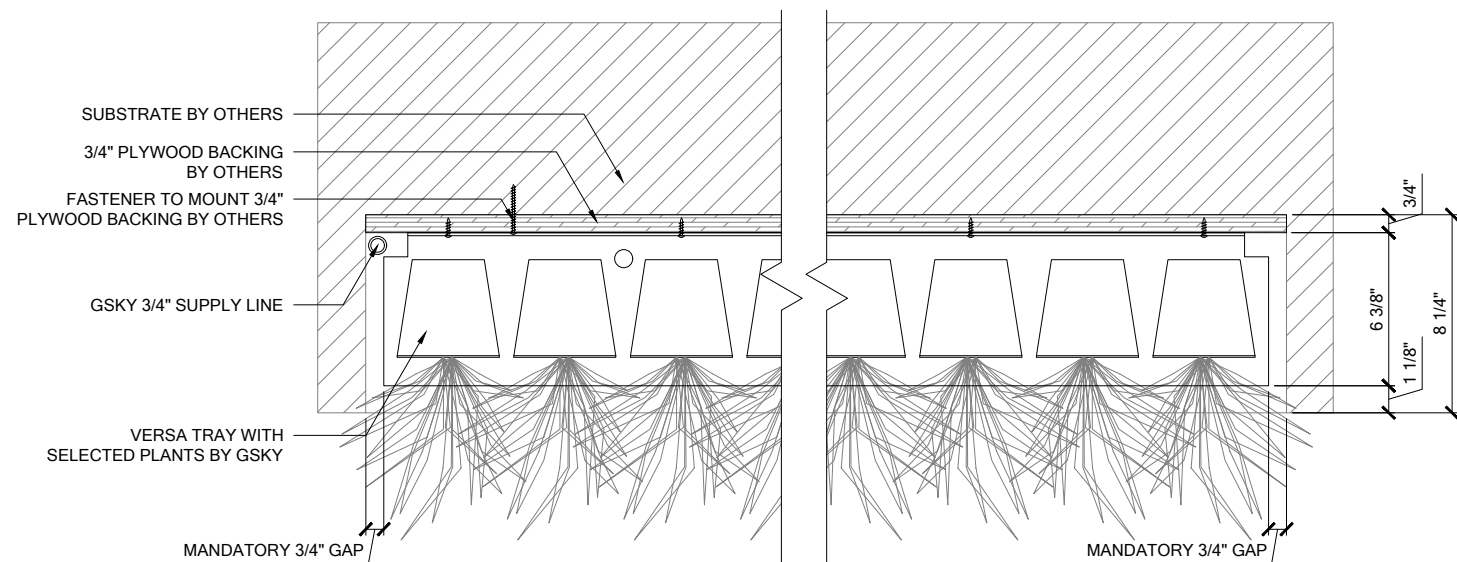
LIGHTING
LED or Metal Halide Lights recommended

Duration	10-12 hrs/day
Color Temp	4000-4500K
Intensity	150fc / 1500 lux (Even Flood)

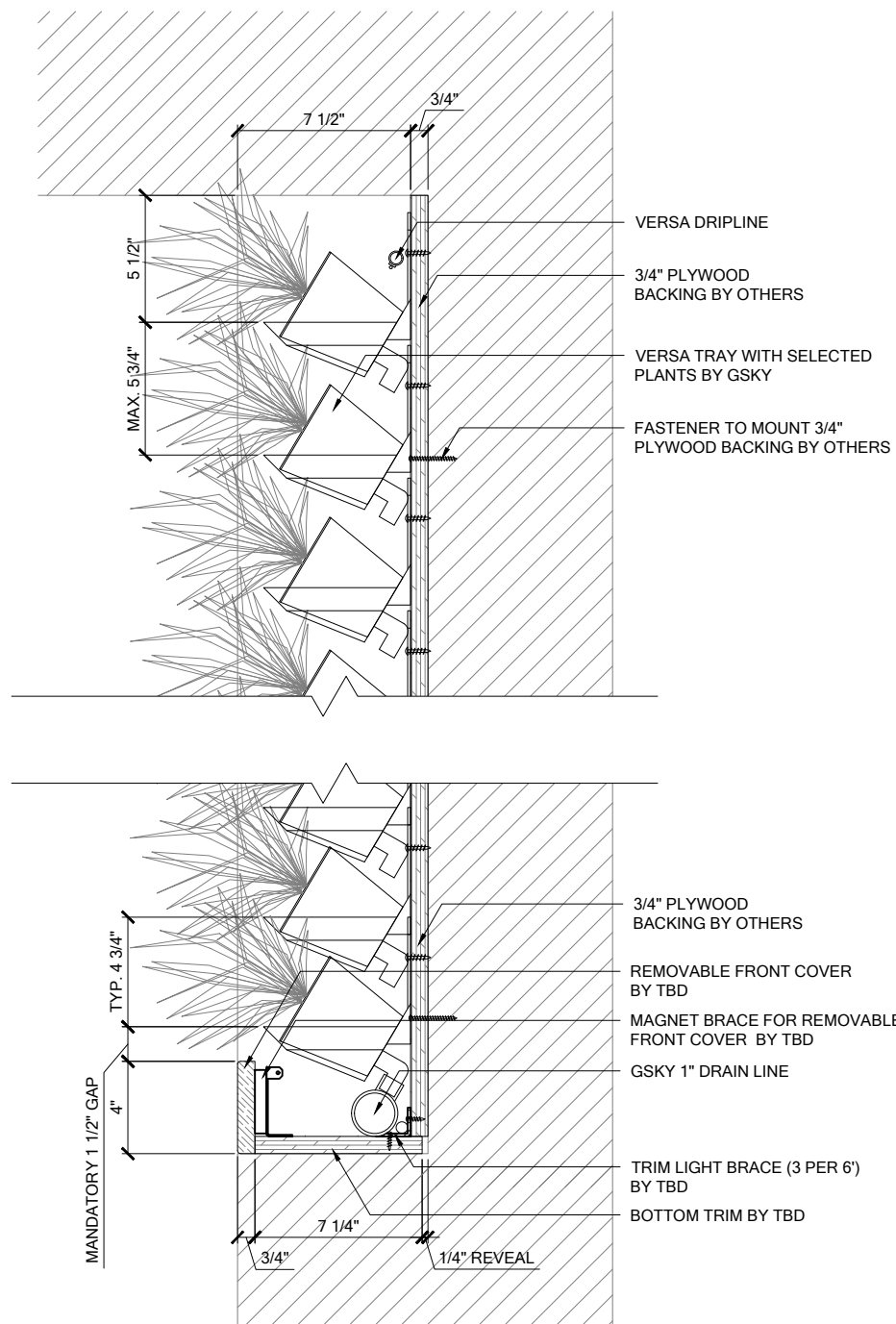
< 8'	OK			
< 13'	OK	OK		
> 13'		OK	OK	OK

MAINT. ACCESS
Walls over 40' / 12m need additional considerations. See GSKY maintenance manual.

GV3.0



1 PLAN
SCALE 1 1/2" = 1'-0"



2 SECTION
SCALE 1 1/2" = 1'-0"



VERSA WALL®

VAT-4N DETAILS

VER. 1.1

11x17" (A3)

ABOVE FLOOR
Weight is 10lbs/ft² 50kg/m²

TRIM
4" BOTTOM
NOTE: pipes and edges of trays will be exposed unless recessed or covered.

REMOTE TANKS
For 50 ft² / 5 m² to any size
Min width 11 1/2" / 29cm

SERVICE			
MANUAL	In Building	In Building	Optional
AUTOMATED	At Tank	At Tank	Optional

IRRIGATION
It is recommended to install a drain whenever possible. Pump distance to the top of the wall must be < 35' / 10.5 m. Tanks must be installed at a lower elevation than the wall.

LIGHTING
LED or Metal Halide Lights recommended

Duration
10-12 hrs/day
Color Temp
4000-4500K
Intensity
150fc / 1500 lux (Even Flood)

< 8'	OK		
< 13'	OK	OK	
> 13'		OK	OK

MAINT. ACCESS
Walls over 40' / 12m need additional considerations. See Gsky maintenance manual.

GV3.1