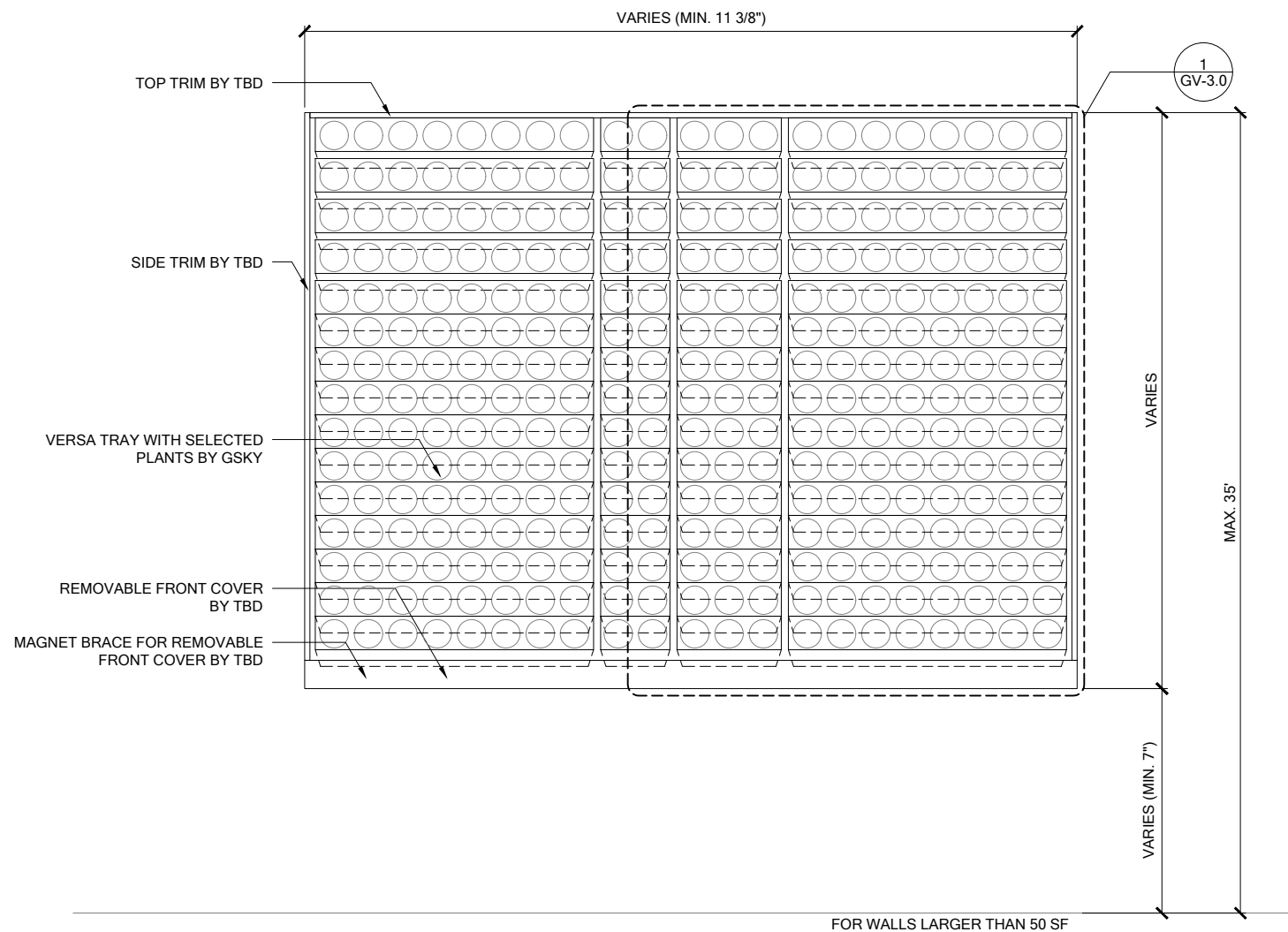
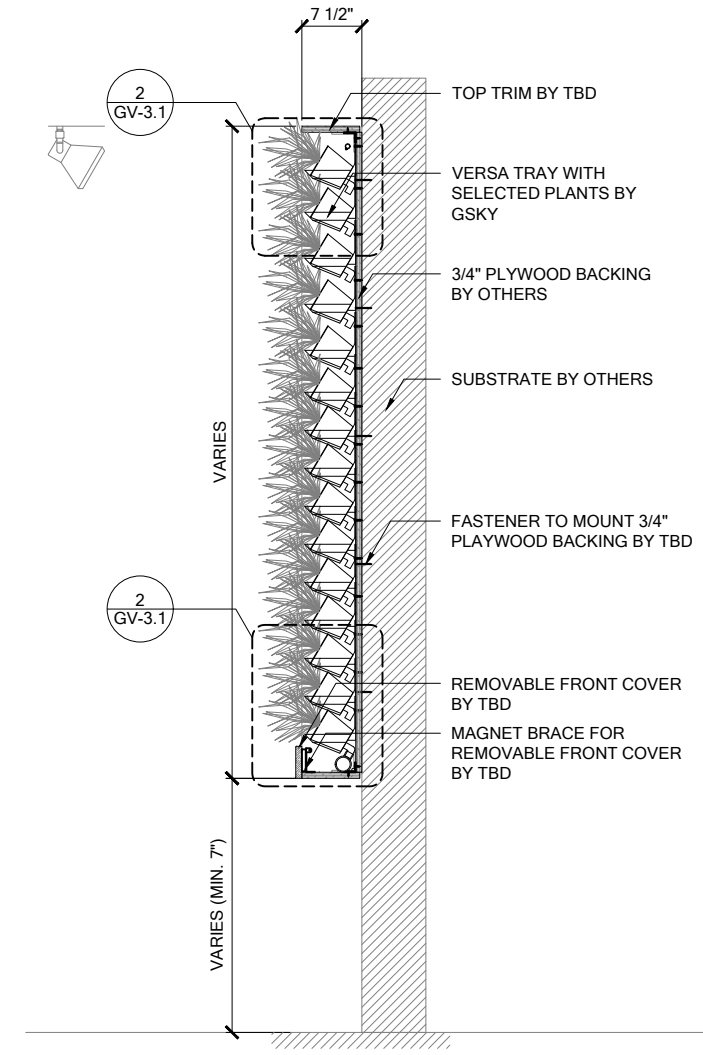


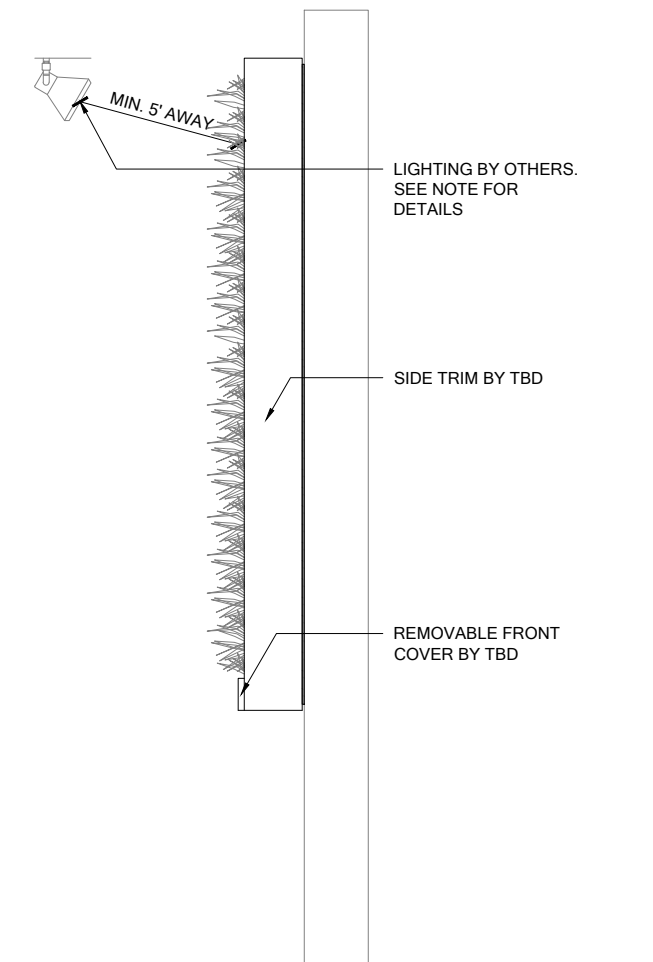
VERSA WALL®
 ABOVE THE FLOOR / REMOTE TANKS
 VAT-40



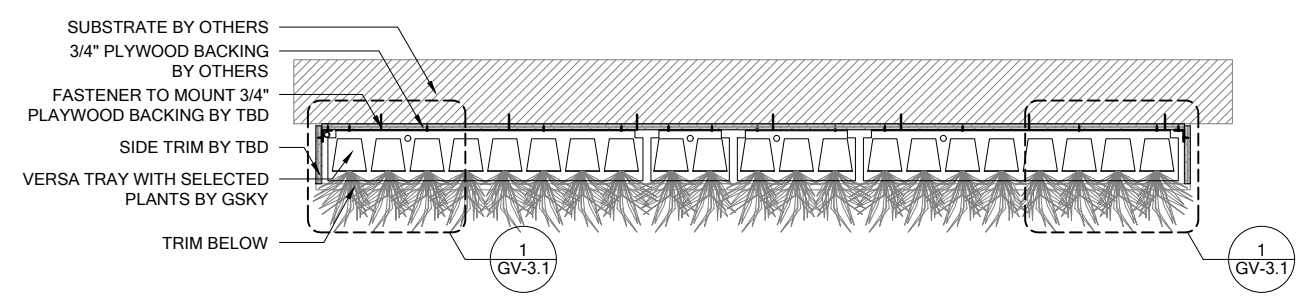
1 ELEVATION
SCALE 1/2" = 1'-0"



3 SECTION
SCALE 1/2" = 1'-0"



4 SIDE
SCALE 1/2" = 1'-0"



2 PLAN
SCALE 1/2" = 1'-0"

FOR WALLS LARGER THAN 50 SF



VERSA WALL[®]
VAT-40 GENERAL OVERVIEW
VER. 1.1 11x17" (A3)

ABOVE FLOOR
Weight is 10lbs/ft² 50kg/m²

TRIM
3/4" SIDE/TOP
4" BOTTOM
Pre-finished or unfinished
See gsky.com for details.

REMOTE TANKS
For 50 ft² / 5 m² to any size
Min width 11 1/2" / 29cm

SERVICE			
MANUAL	In Building	In Building	Optional
AUTOMATED	At Tanks	At Tanks	Optional

IRRIGATION
It is recommended to install a drain whenever possible. Pump distance to the top of the wall must be < 35' / 10.5 m. Tanks must be installed at a lower elevation than the wall.

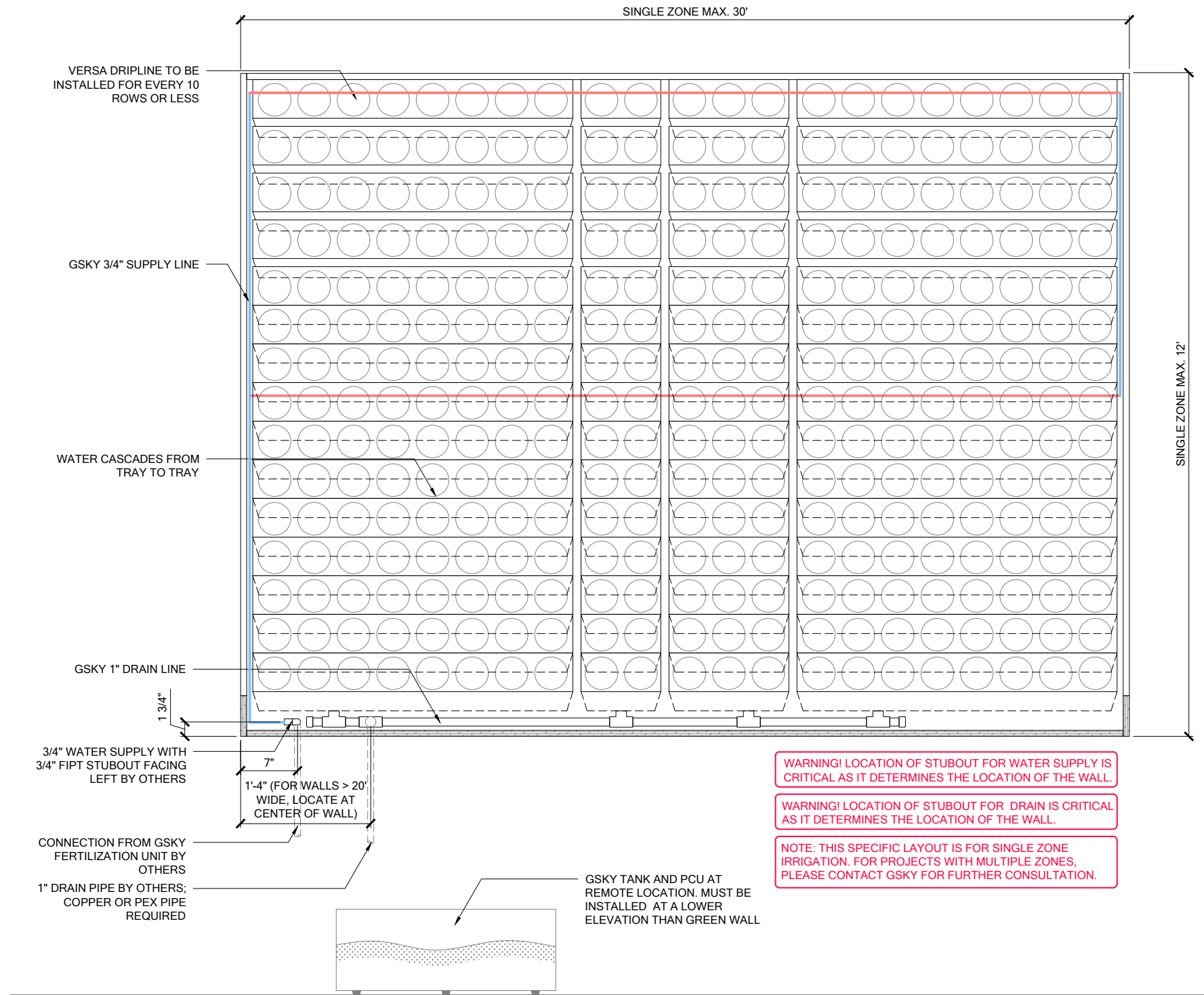
LIGHTING
LED or Metal Halide Lights recommended

Duration	10-12 hrs/day
Color Temp	4000-4500K
Intensity	150fc / 1500 lux (Even Flood)

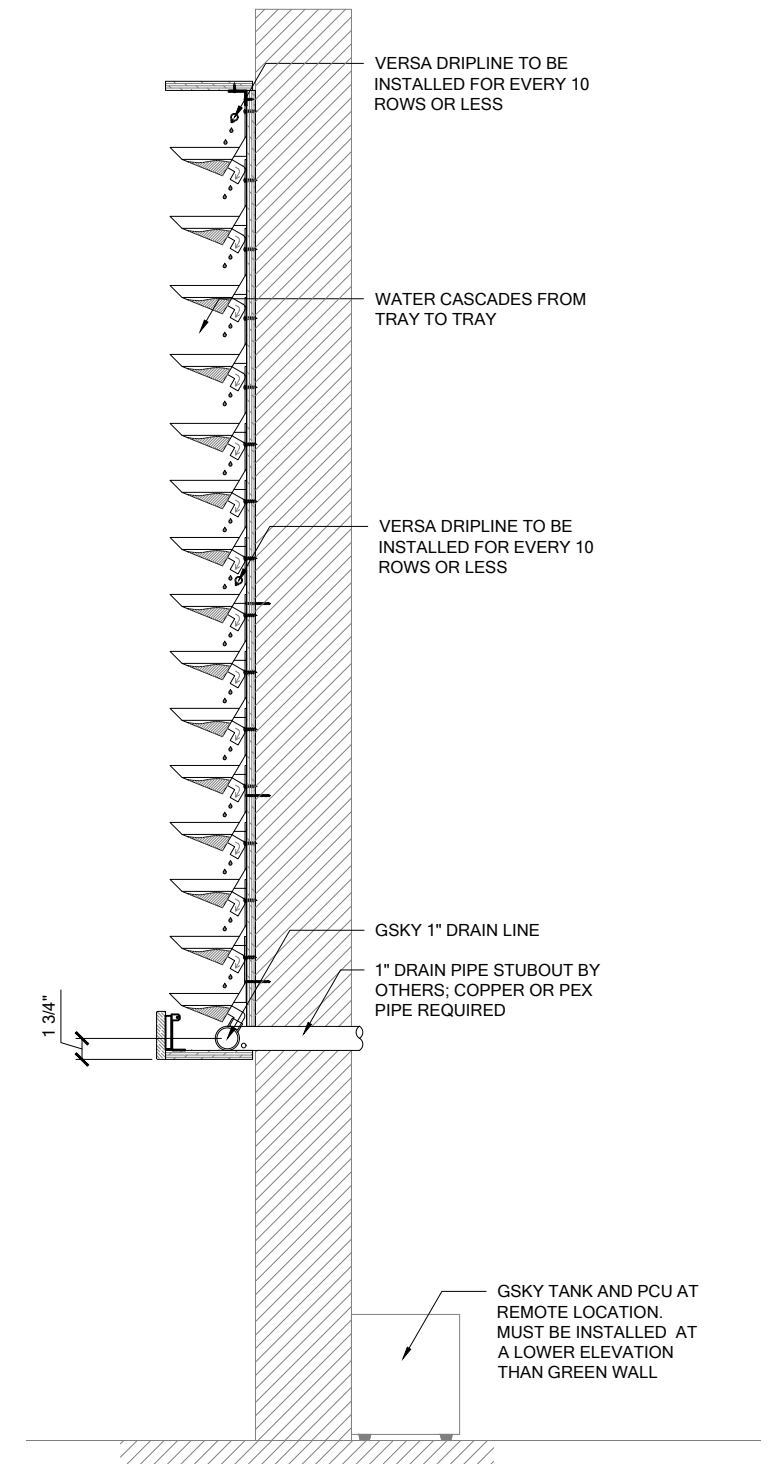
MAINT. ACCESS
Walls over 40' / 12m need additional considerations. See GSKy maintenance manual.

Height				
< 8'	OK			
< 13'	OK	OK		
> 13'		OK	OK	OK

GV1.0



1 ELEVATION
SCALE 3/4" = 1'-0"



2 SECTION
SCALE 3/4" = 1'-0"

WARNING! LOCATION OF STUBOUT FOR WATER SUPPLY IS CRITICAL AS IT DETERMINES THE LOCATION OF THE WALL.

WARNING! LOCATION OF STUBOUT FOR DRAIN IS CRITICAL AS IT DETERMINES THE LOCATION OF THE WALL.

NOTE: THIS SPECIFIC LAYOUT IS FOR SINGLE ZONE IRRIGATION. FOR PROJECTS WITH MULTIPLE ZONES, PLEASE CONTACT GSKY FOR FURTHER CONSULTATION.



VERSA WALL[®]
VAT-40 IRRIGATION OVERVIEW
VER. 1.1 11x17" (A3)

ABOVE FLOOR
Weight is 10lbs/ft² 50kg/m²

3/4" SIDE/TOP
4" BOTTOM
TRIM
Pre-finished or unfinished
See gsky.com for details.

REMOTE TANKS
For 50 ft² / 5 m² to any size
Min width 11 1/2" / 29cm

SERVICE			
MANUAL	In Building	In Building	Optional
AUTOMATED	At Tanks	At Tanks	Optional

IRRIGATION
It is recommended to install a drain whenever possible. Pump distance to the top of the wall must be < 35' / 10.5 m. Tanks must be installed at a lower elevation than the wall.

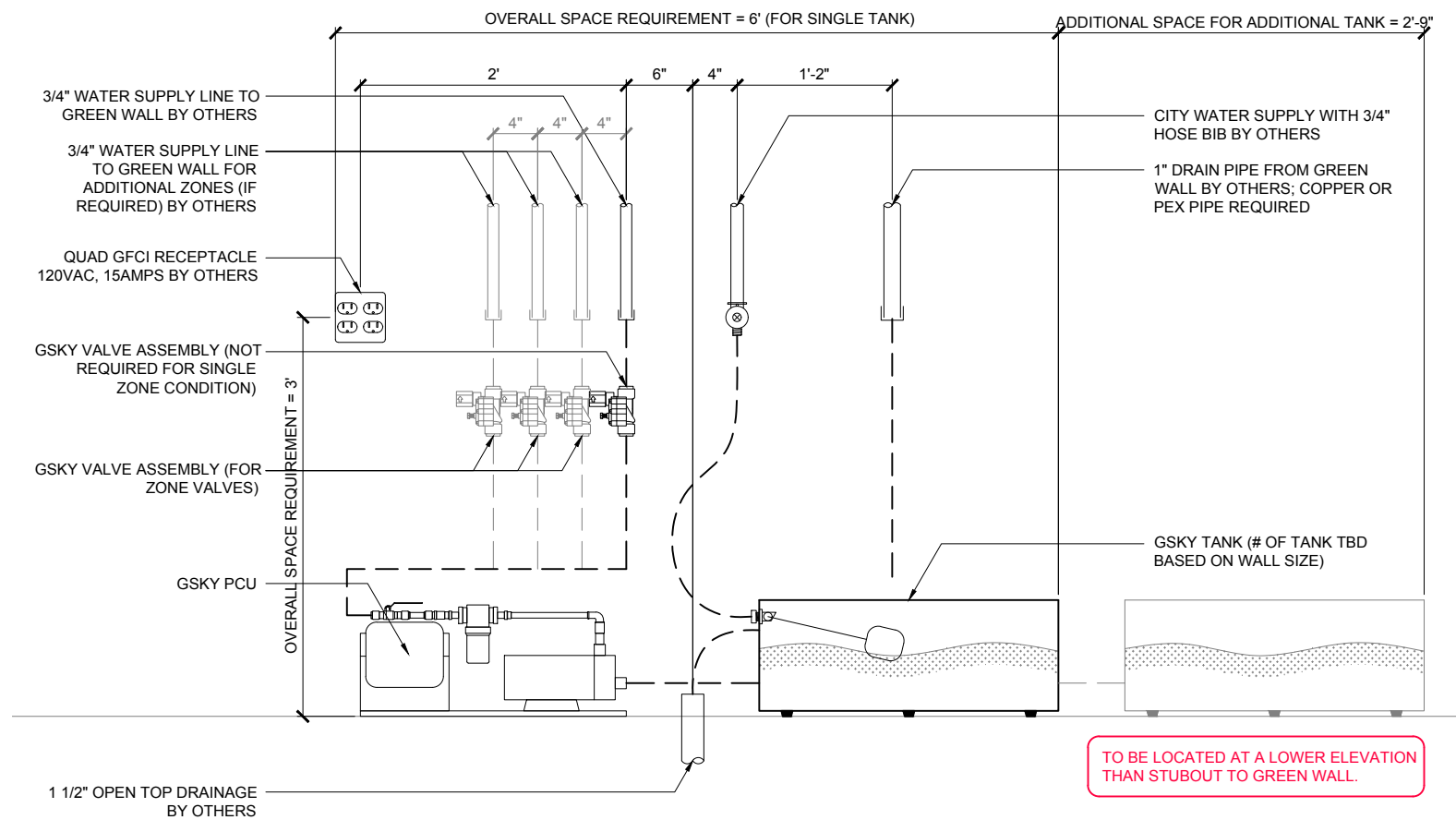
LIGHTING
LED or Metal Halide Lights recommended

Duration
10-12 hrs/day
Color Temp
4000-4500K
Intensity
150fc / 1500 lux (Even Flood)

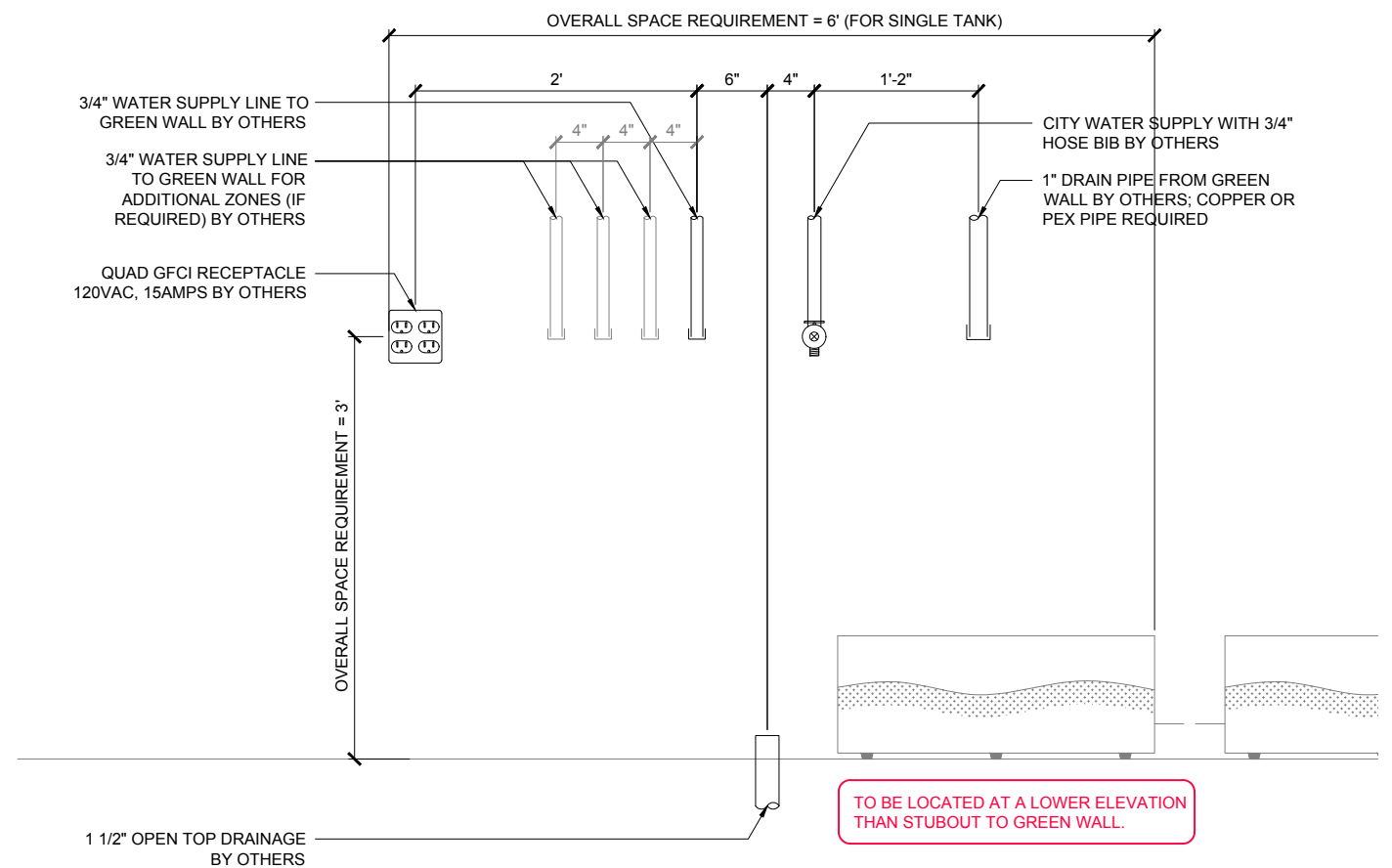
< 8'	OK			
< 13'	OK	OK		
> 13'	OK	OK	OK	

MAINT. ACCESS
Walls over 40' / 12m need additional considerations. See Gsky maintenance manual.

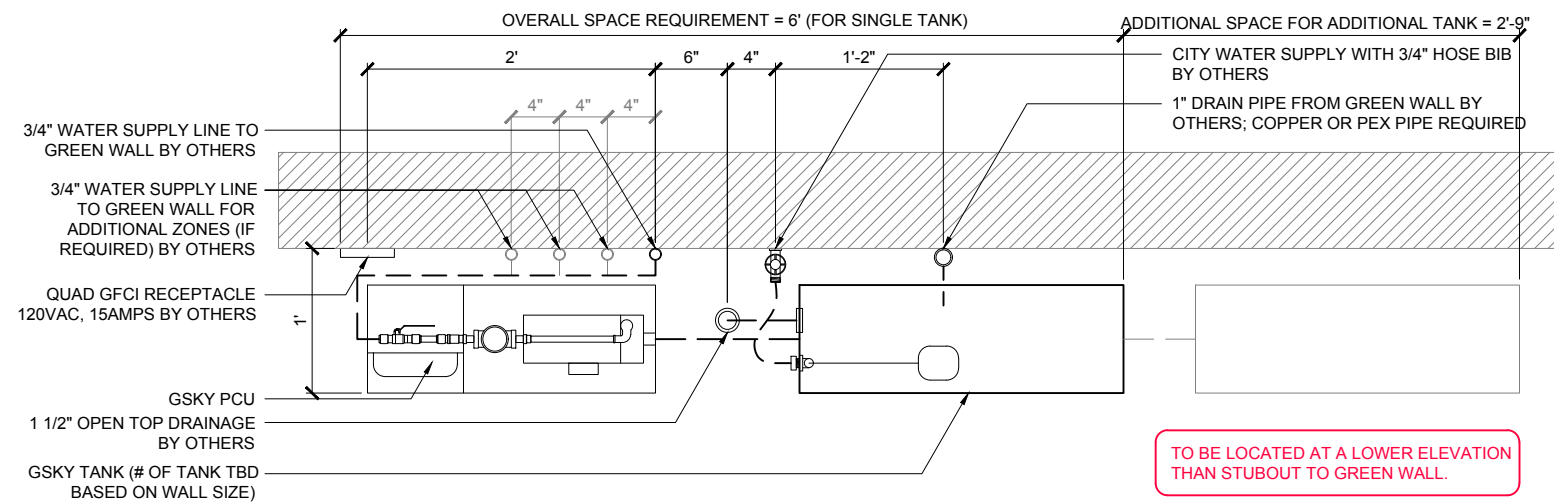
GV2.0



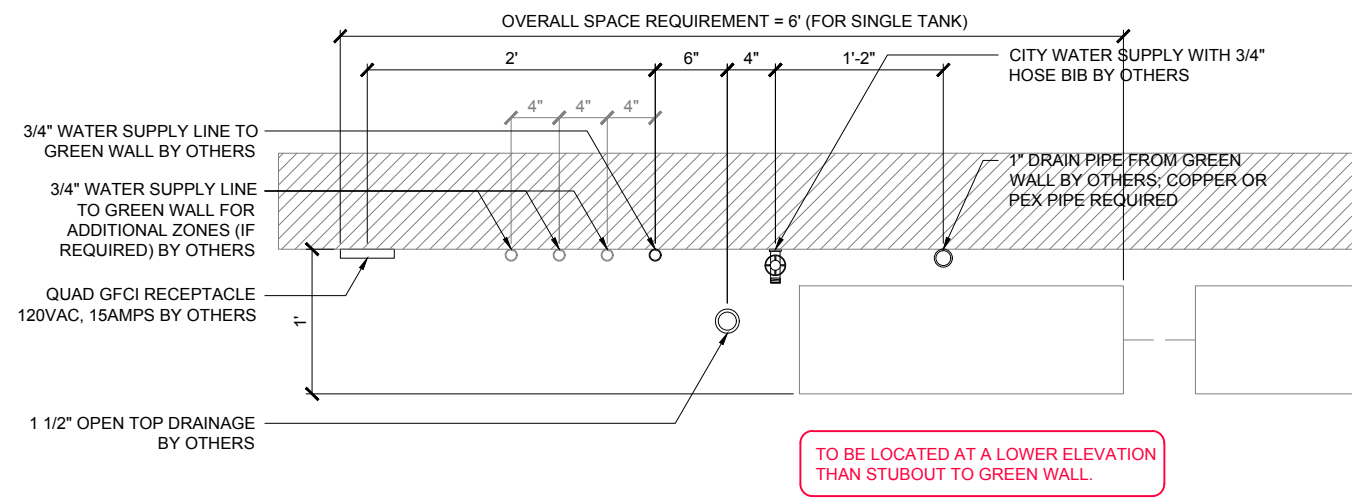
1 IRRIGATION LAYOUT - ELEVATION
SCALE 3/4" = 1'-0"



3 MECH. LAYOUT - ELEVATION
SCALE 3/4" = 1'-0"



2 IRRIGATION LAYOUT - PLAN
SCALE 3/4" = 1'-0"



4 MECH. LAYOUT - PLAN
SCALE 3/4" = 1'-0"



VERSA WALL[®]
VAT-40 IRRIGATION SYSTEM
VER. 1.1 11x17" (A3)

ABOVE FLOOR
Weight is 10lbs/ft² 50kg/m²

TRIM
3/4" SIDE/TOP
4" BOTTOM
Pre-finished or unfinished
See gsky.com for details.

REMOTE TANKS
For 50 ft² / 5 m² to any size
Min width 11 1/2" / 29cm

SERVICE			
MANUAL	In Building	In Building	Optional
AUTOMATED	At Tanks	At Tanks	Optional

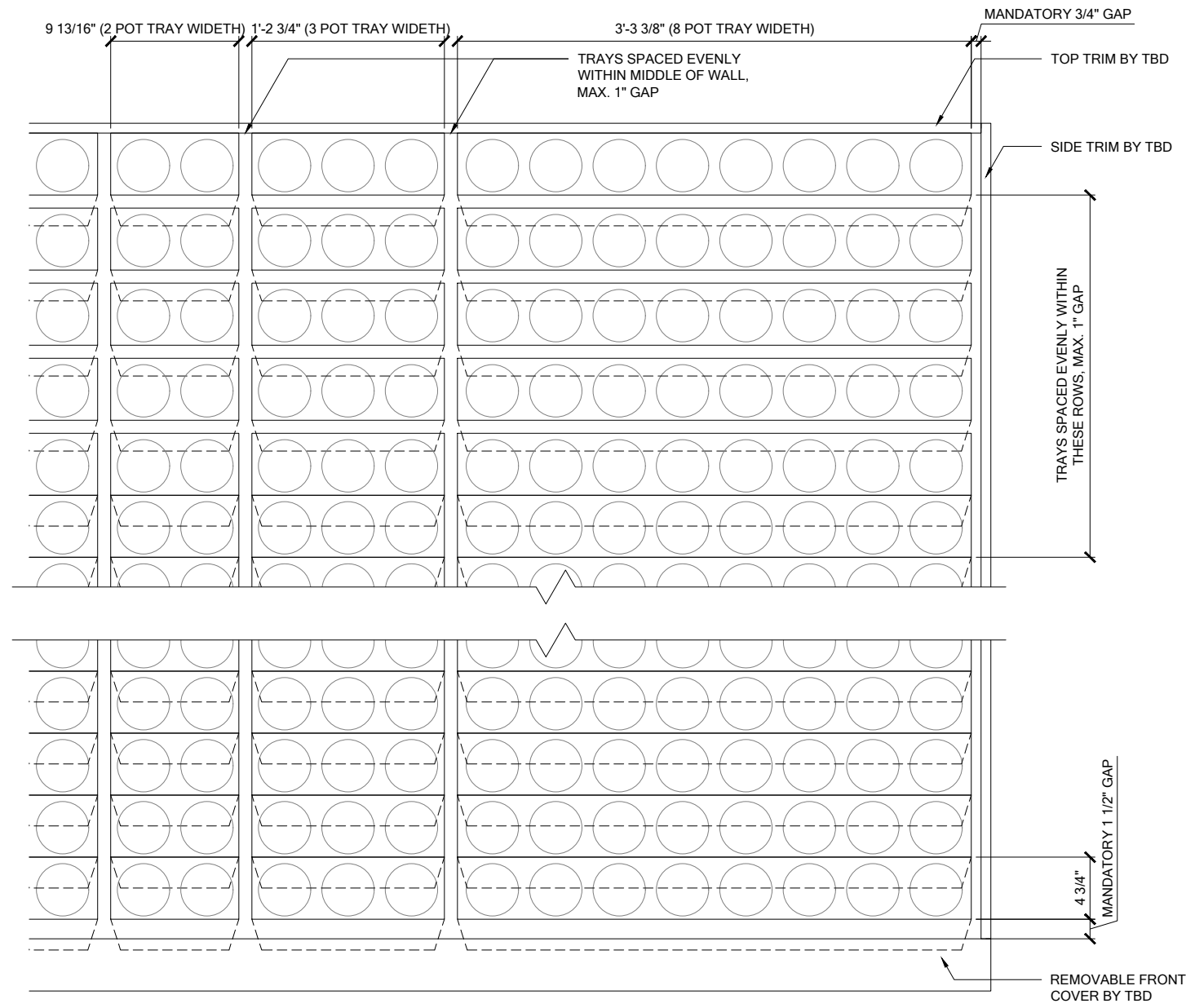
IRRIGATION
It is recommended to install a drain whenever possible. Pump distance to the top of the wall must be < 35' / 10.5 m. Tanks must be installed at a lower elevation than the wall.

LIGHTING
LED or Metal Halide Lights recommended
Duration: 10-12 hrs/day
Color Temp: 4000-4500K
Intensity: 150fc / 1500 lux (Even Flood)

< 8'	OK			
< 13'	OK	OK		
> 13'	OK	OK	OK	

Walls over 40' / 12m need additional considerations. See GSKy maintenance manual.

GV2.1



1 TRAY LAYOUT
SCALE 1" = 1'-0"



VERSA WALL®

VAT-40 TRAY LAYOUT

VER. 1.1

11x17" (A3)



ABOVE FLOOR
Weight is 10lbs/ft² 50kg/m²

3/4"	SIDE/TOP
4"	BOTTOM

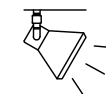
TRIM
Pre-finished or unfinished
See gsky.com for details.



REMOTE TANKS
For 50 ft² / 5 m² to any size
Min width 11 1/2" / 29cm

SERVICE			
MANUAL	In Building	In Building	Optional
AUTOMATED	At Tanks	At Tanks	Optional

IRRIGATION
It is recommended to install a drain whenever possible. Pump distance to the top of the wall must be < 35' / 10.5 m. Tanks must be installed at a lower elevation than the wall.



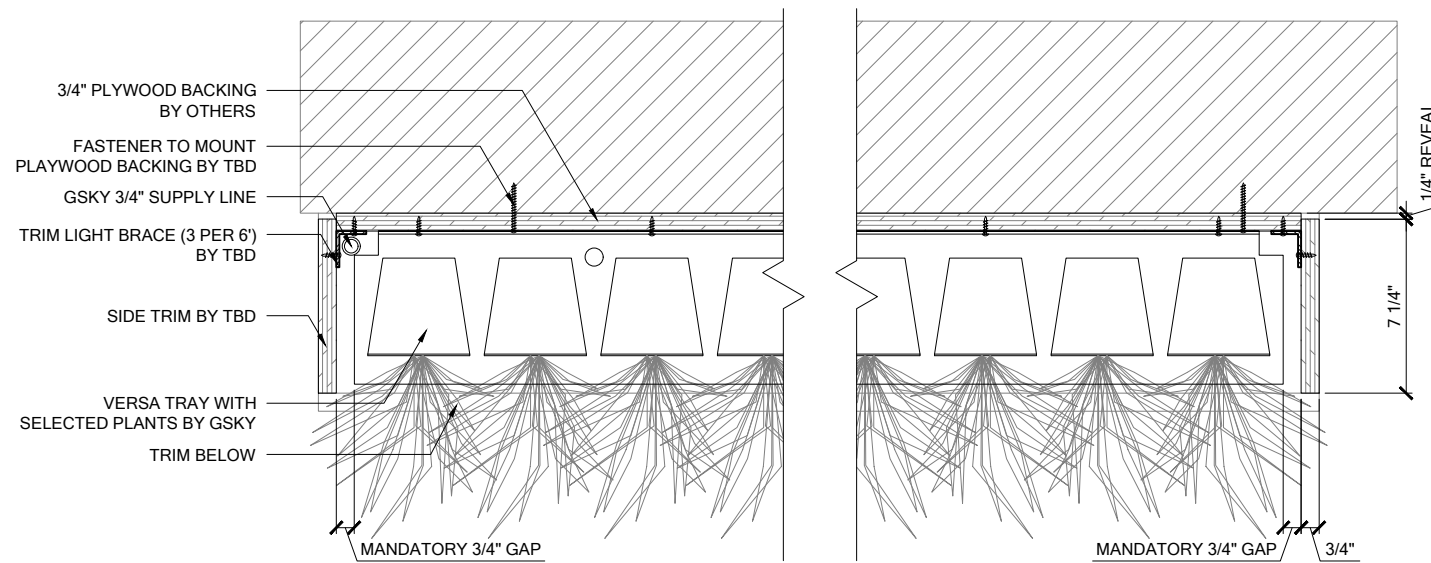
LIGHTING
LED or Metal Halide Lights recommended

Duration
10-12 hrs/day
Color Temp
4000-4500K
Intensity
150fc / 1500 lux
(Even Flood)

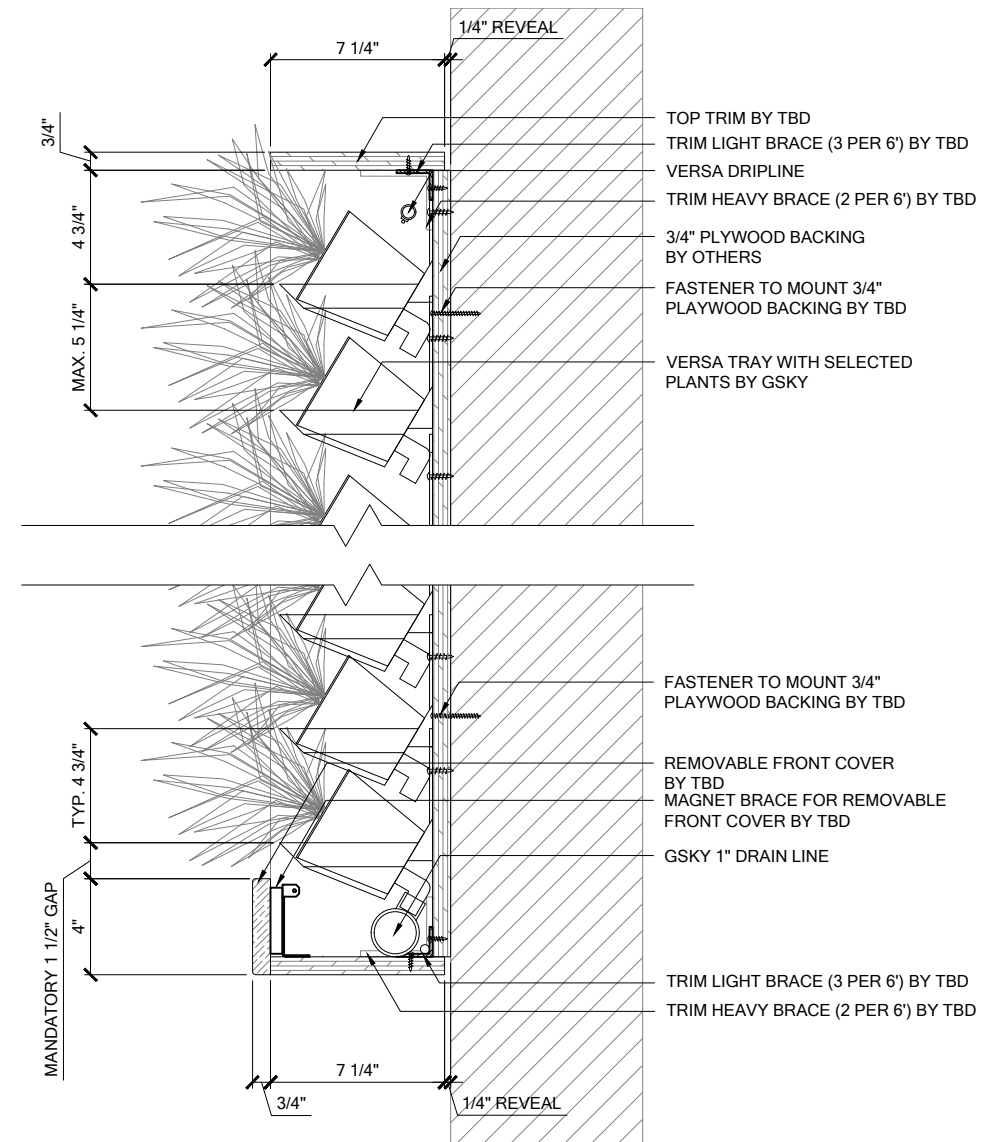
< 8'	OK			
< 13'	OK	OK		
> 13'		OK	OK	OK

MAINT. ACCESS
Walls over 40' / 12m need additional considerations. See GSKy maintenance manual.

GV3.0



1 PLAN
SCALE 1 1/2" = 1'-0"



2 SECTION
SCALE 1 1/2" = 1'-0"



VERSA WALL®

VAT-40 DETAILS

VER. 1.1

11x17" (A3)

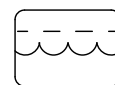


ABOVE FLOOR
Weight is 10lbs/ft² 50kg/m²

3/4"	SIDE/TOP
4"	BOTTOM

TRIM

Pre-finished or unfinished
See gsky.com for details.



REMOTE TANKS

For 50 ft² / 5 m² to any size
Min width 11 1/8" / 29cm

SERVICE			
MANUAL	In Building	In Building	Optional
AUTOMATED	At Tanks	At Tanks	Optional

IRRIGATION

It is recommended to install a drain whenever possible. Pump distance to the top of the wall must be < 35' / 10.5 m. Tanks must be installed at a lower elevation than the wall.



LIGHTING

LED or Metal Halide Lights recommended

Duration
10-12 hrs/day
Color Temp
4000-4500K
Intensity
150fc / 1500 lux
(Even Flood)

< 8'	OK		
< 13'	OK	OK	
> 13'		OK	OK

MAINT. ACCESS

Walls over 40' / 12m need additional considerations. See Gsky maintenance manual.

GV3.1