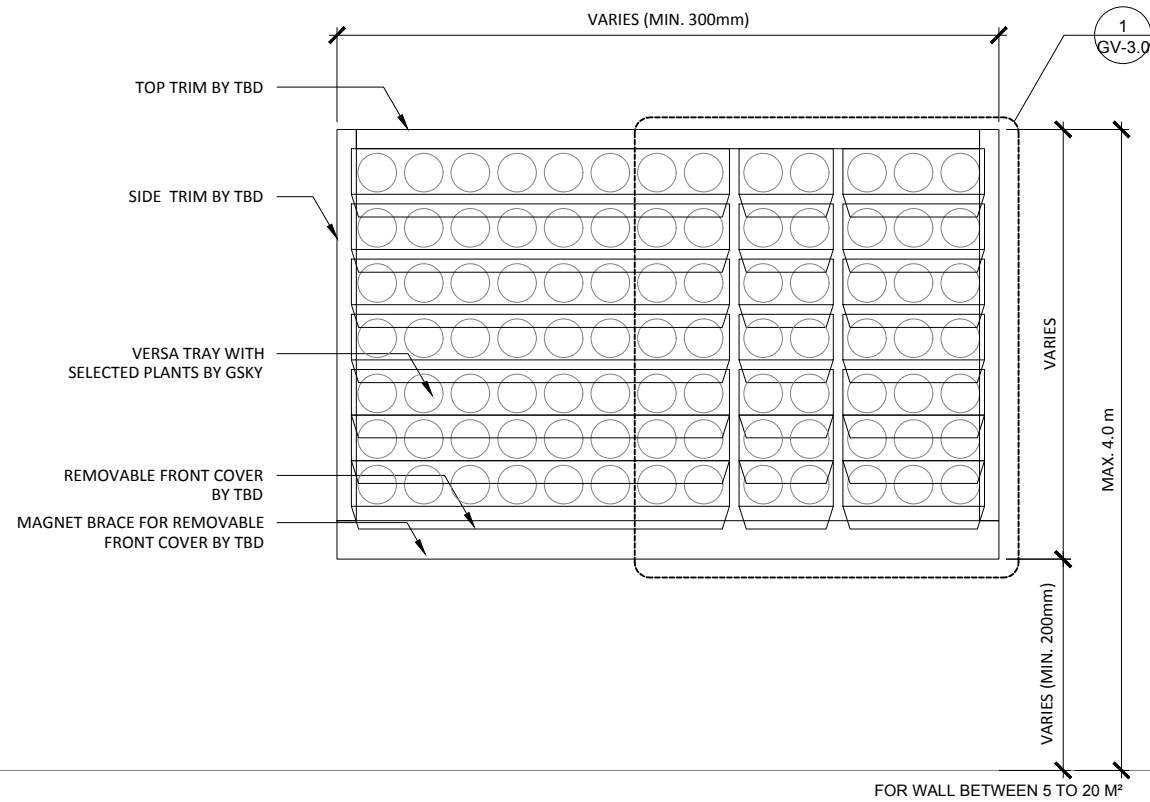


- TOP TRIM BY TBD
- 3/4" PLYWOOD BACKING BY OTHERS
- GSKY 3/4" SUPPLY LINE
- VERSA TRAYS
- VERSA DRIP LINE
- SIDE TRIM BY TBD
- MAGNET BRACE FOR REMOVABLE TRIM BY TBD
- BOTTOM TRIM BY TBD
- REMOVABLE FRONT COVER BY TBD
- GSKY MANUAL WATERING UNIT

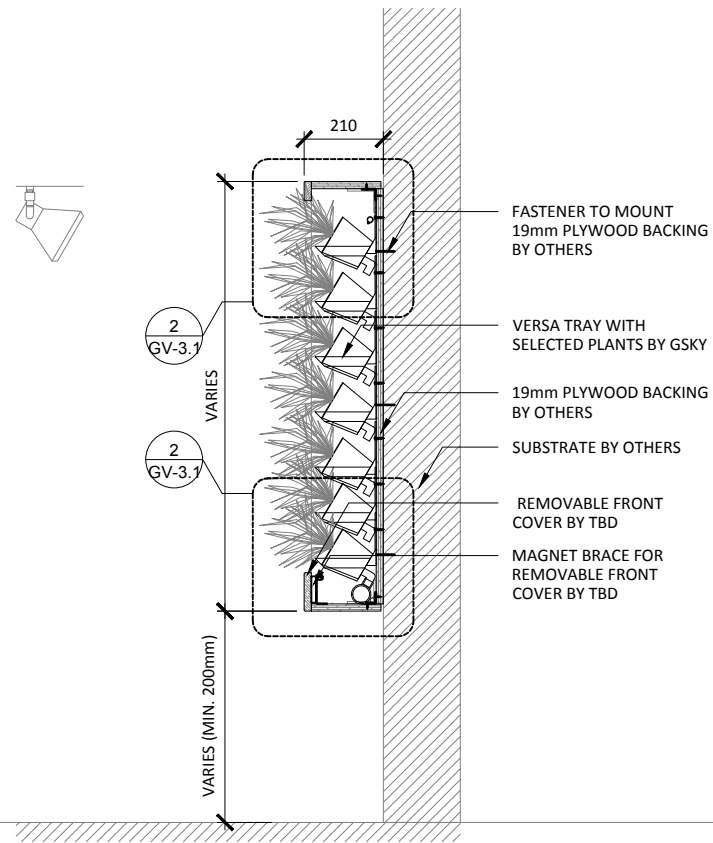


**VERSA WALL**®

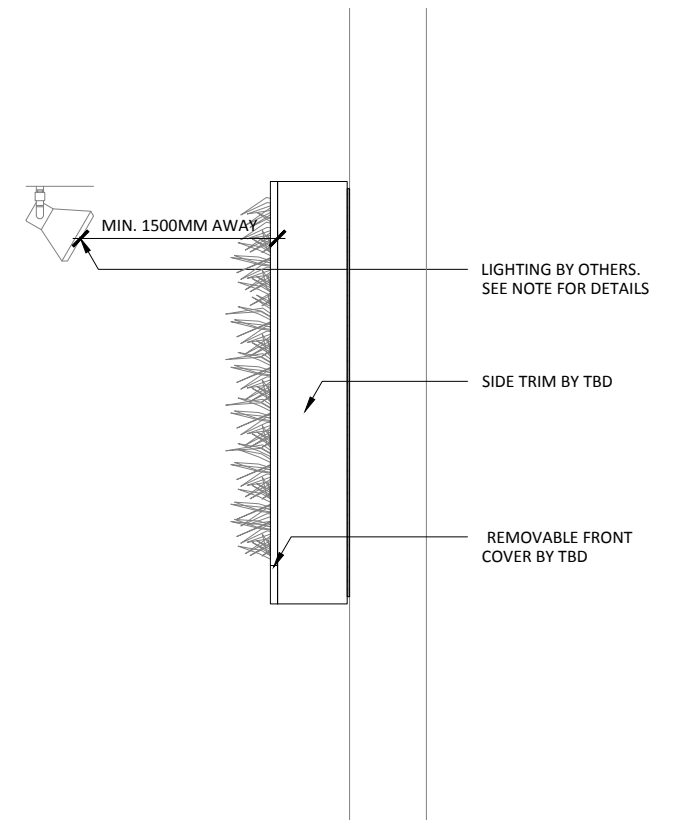
ABOVE THE FLOOR / HOSE WATER  
VAM-42



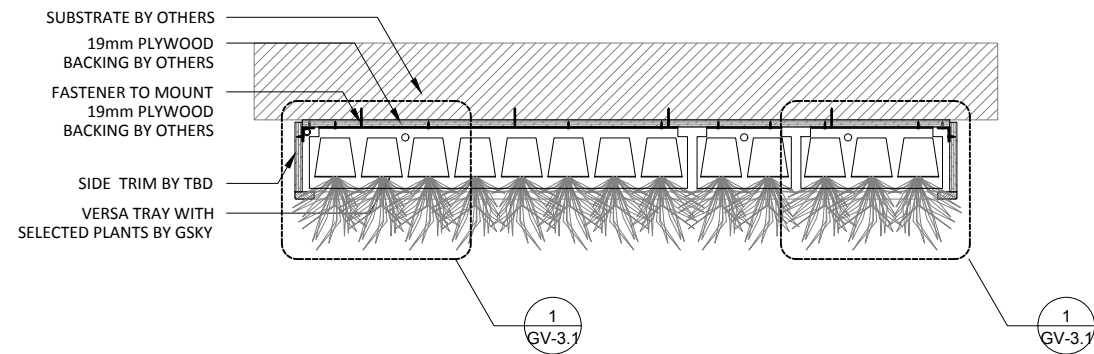
**1 ELEVATION**  
SCALE: 1:20



**3 SECTION**  
SCALE: 1:20



**4 SIDE**  
SCALE: 1:20



**2 PLAN**  
SCALE: 1:20



**VERSA WALL**<sup>®</sup>  
VAM-42 GENERAL OVER VIEW  
VER. 1.1 297x420 mm (A3)

**ABOVE FLOOR**  
Weight is 10lbs/ft<sup>2</sup> 50kg/m<sup>2</sup>

51MM	SIDE/TOP
100MM	BOTTOM

**TRIM**  
NOTE: pipes and edges of trays will be exposed unless recessed or covered

**HOSE WATER**  
For 50 - 220 ft<sup>2</sup> / 5 - 20 m<sup>2</sup>  
Min width 11 1/4" / 29cm

SERVICE			
MANUAL	N/A	N/A	N/A
AUTOMATED	At Wall	At Wall	At Wall

**IRRIGATION**  
It is recommended to install a drain whenever possible. Require GSKy's consultation for > 35' / 10.5 m height wall.

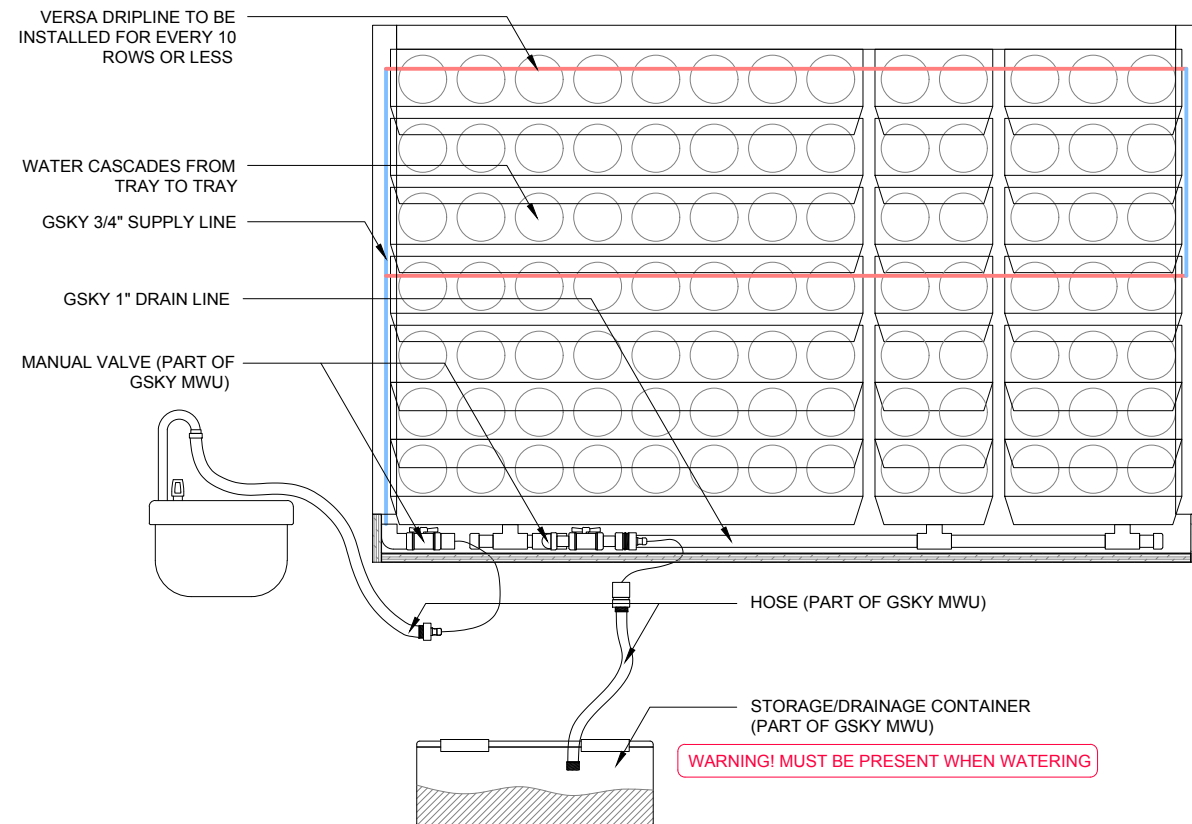
**LIGHTING**  
LED or Metal Halide Lights recommended

Duration	10-12 hrs/day
Color Temp	4000-4500K
Intensity	150fc / 1500 lux (Even Flood)

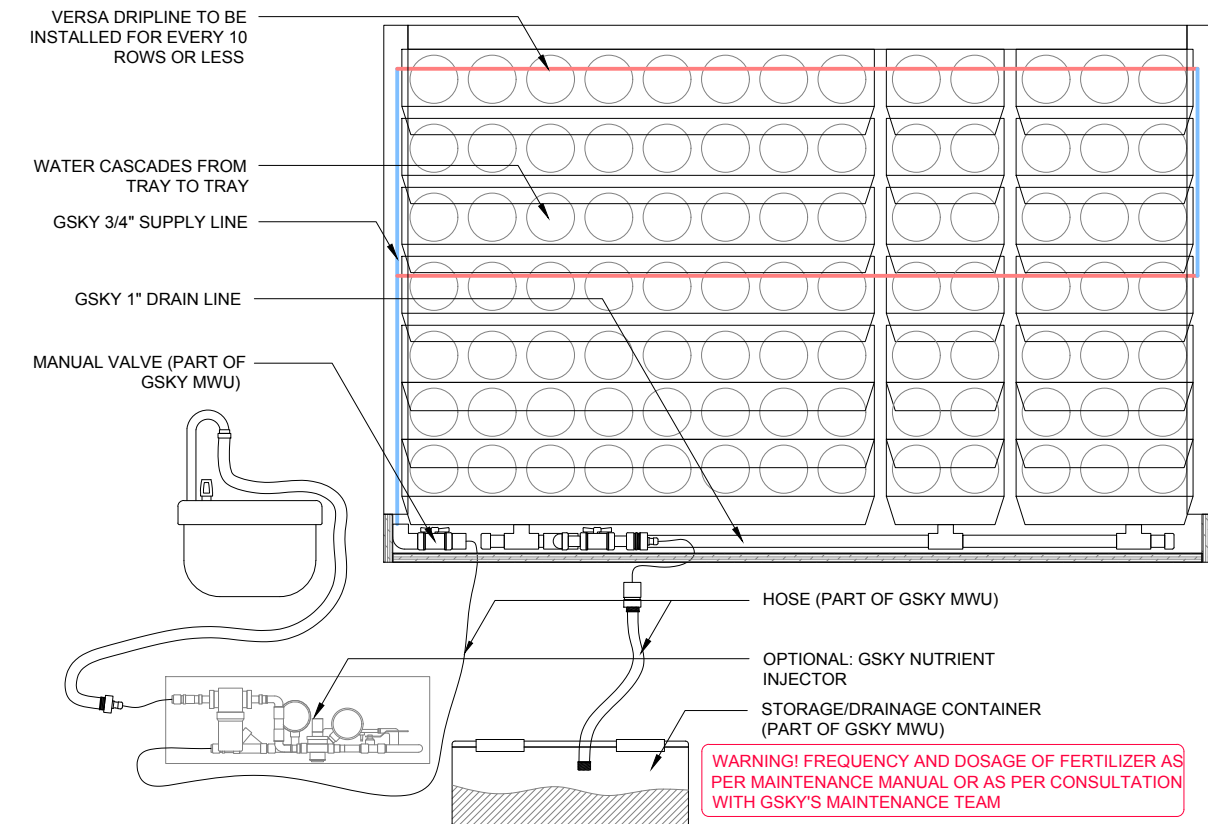
< 2400	OK			
< 4000	OK	OK		
> 4000		OK	OK	OK

**MAINT. ACCESS**  
Walls over 40' / 12m need additional considerations. See GSKy maintenance manual.

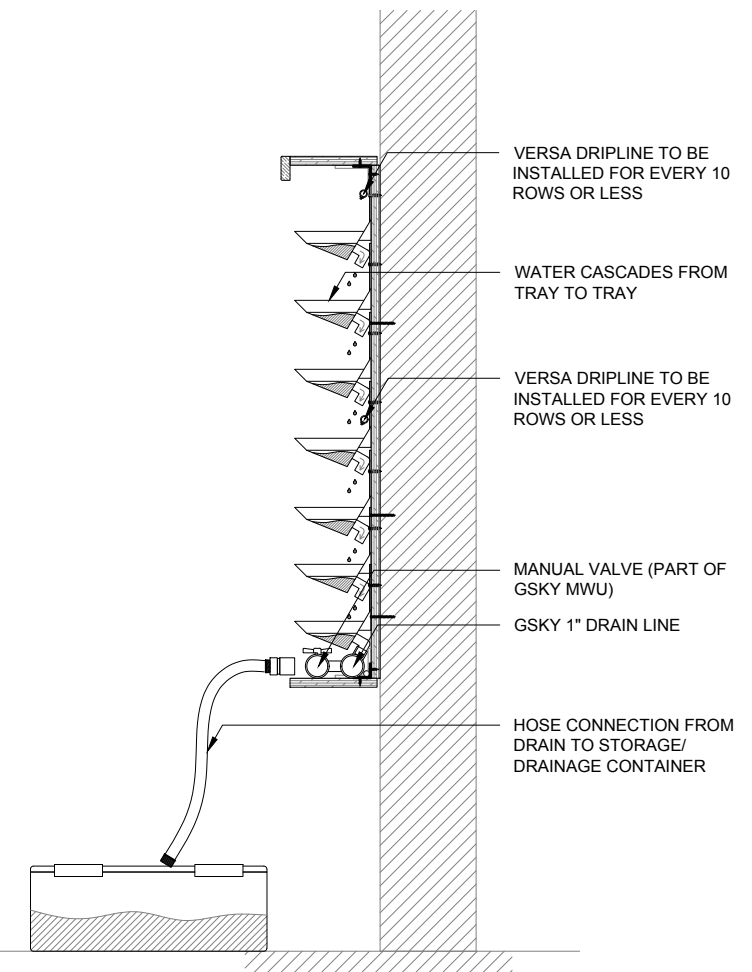
**GV1.0**



**1** ELEVATION - IRRIGATION  
SCALE: 1:16



**2** OPTIONAL: ELEVATION - FERTILIZATION  
SCALE: 1:16



**3** SECTION - DRAIN  
SCALE: 1:16



**VERSA WALL**<sup>®</sup>  
VAM-42 IRRIGATION OVERVIEW  
VER. 1.1      297x420 mm (A3)

**ABOVE FLOOR**  
Weight is 10lbs/ft<sup>2</sup> 50kg/m<sup>2</sup>

51MM SIDE/TOP  
100MM BOTTOM  
**TRIM**  
NOTE: pipes and edges of trays will be exposed unless recessed or covered

**HOSE WATER**  
For 50 - 220 ft<sup>2</sup> / 5 - 20 m<sup>2</sup>  
Min width 11 1/4" / 29cm

SERVICE			
MANUAL	N/A	N/A	N/A
AUTOMATED	At Wall	At Wall	At Wall

**IRRIGATION**  
It is recommended to install a drain whenever possible. Require GSKy's consultation for > 35' / 10.5 m height wall.

**LIGHTING**  
LED or Metal Halide Lights recommended

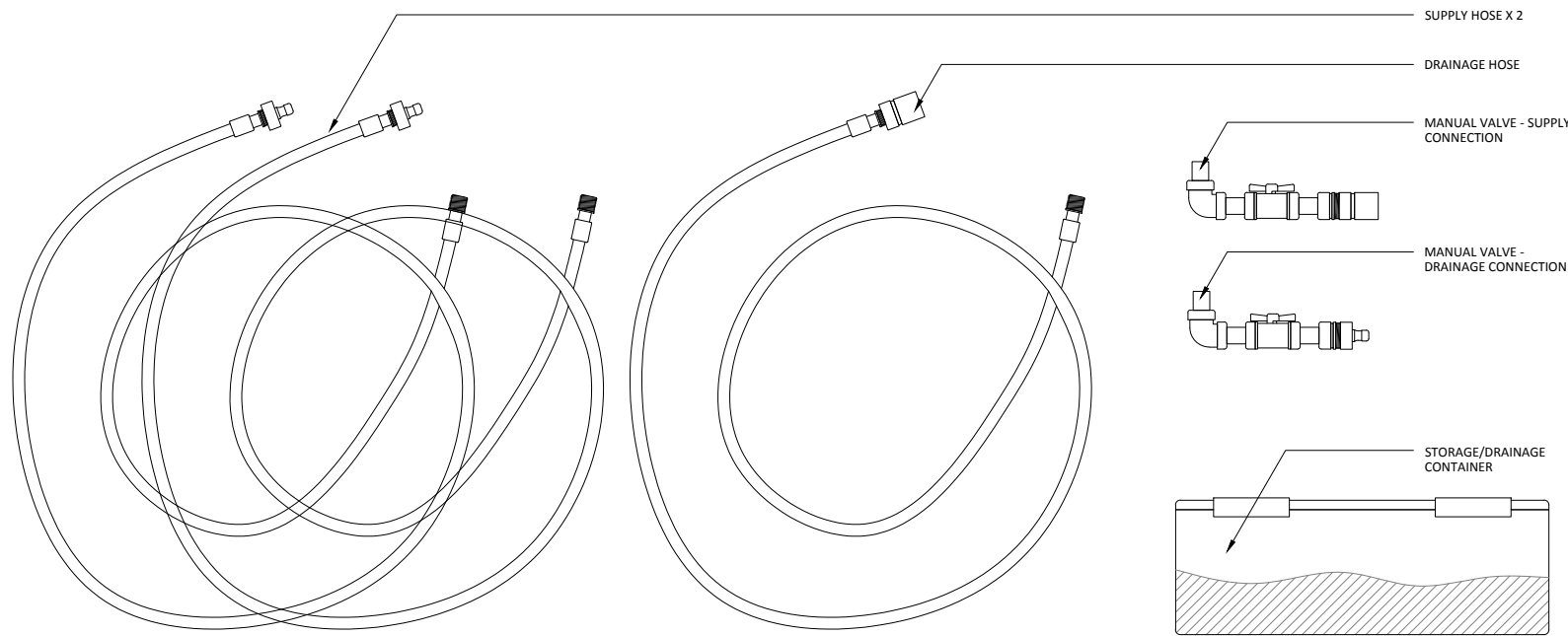
Duration	10-12 hrs/day
Color Temp	4000-4500K
Intensity	150fc / 1500 lux (Even Flood)

**MAINT. ACCESS**  
Walls over 40' / 12m need additional considerations. See GSKy maintenance manual.

< 2400	OK		
< 4000	OK	OK	
> 4000		OK	OK

**GV2.0**

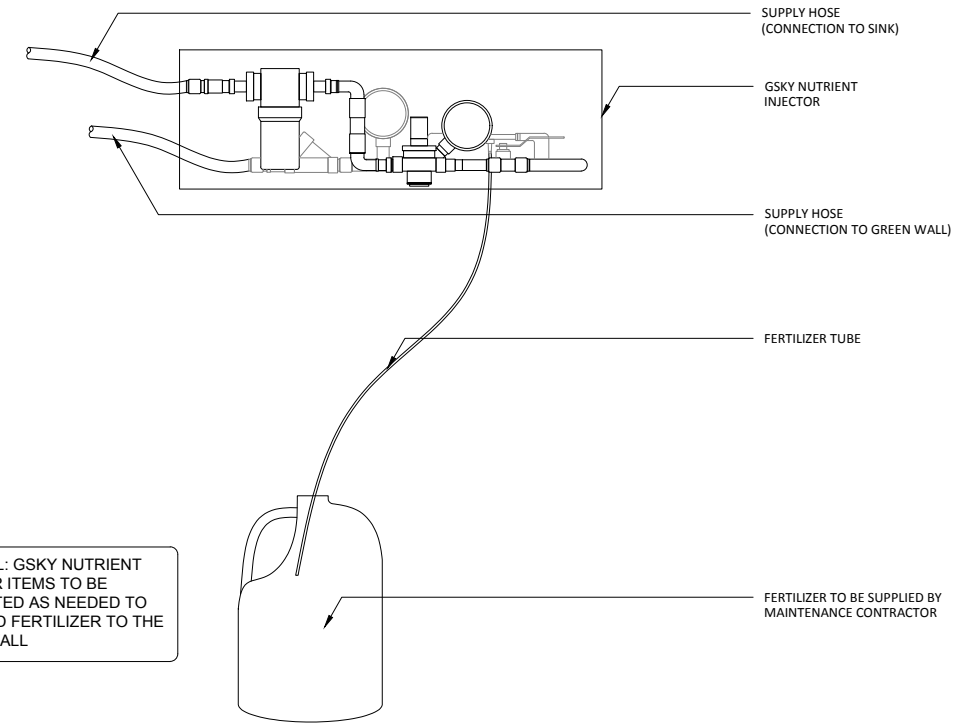




GSKY MUW ITEMS TO BE CONNECTED TO WATER SUPPLY AND DRAIN LINE DURING EVERY MAINTENANCE SESSION.

3 HOSES  
2 MANUAL VALVES  
1 STORAGE/DRAINAGE CONTAINER

**1** GSKY MANUAL WATERING UNIT (MWU)  
SCALE: 1:10



OPTIONAL: GSKY NUTRIENT INJECTOR ITEMS TO BE CONNECTED AS NEEDED TO PROVIDED FERTILIZER TO THE GREEN WALL

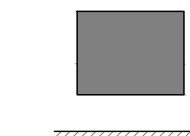
**2** OPTIONAL: GSKY NUTRIENT INJECTOR  
SCALE: 1:10



**VERSA WALL**®

VAM-42 IRRIGATION SYSTEM

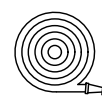
VER. 1.1 297x420 mm (A3)



**ABOVE FLOOR**  
Weight is 10lbs/ft² 50kg/m²

51MM	SIDE/TOP
100MM	BOTTOM

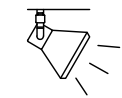
**TRIM**  
NOTE: pipes and edges of trays will be exposed unless recessed or covered



**HOSE WATER**  
For 50 - 220 ft² / 5 - 20 m²  
Min width 11 1/4" / 29cm

SERVICE			
MANUAL	N/A	N/A	N/A
AUTOMATED	At Wall	At Wall	At Wall

**IRRIGATION**  
It is recommended to install a drain whenever possible. Require GSKY's consultation for > 35' / 10.5 m height wall.

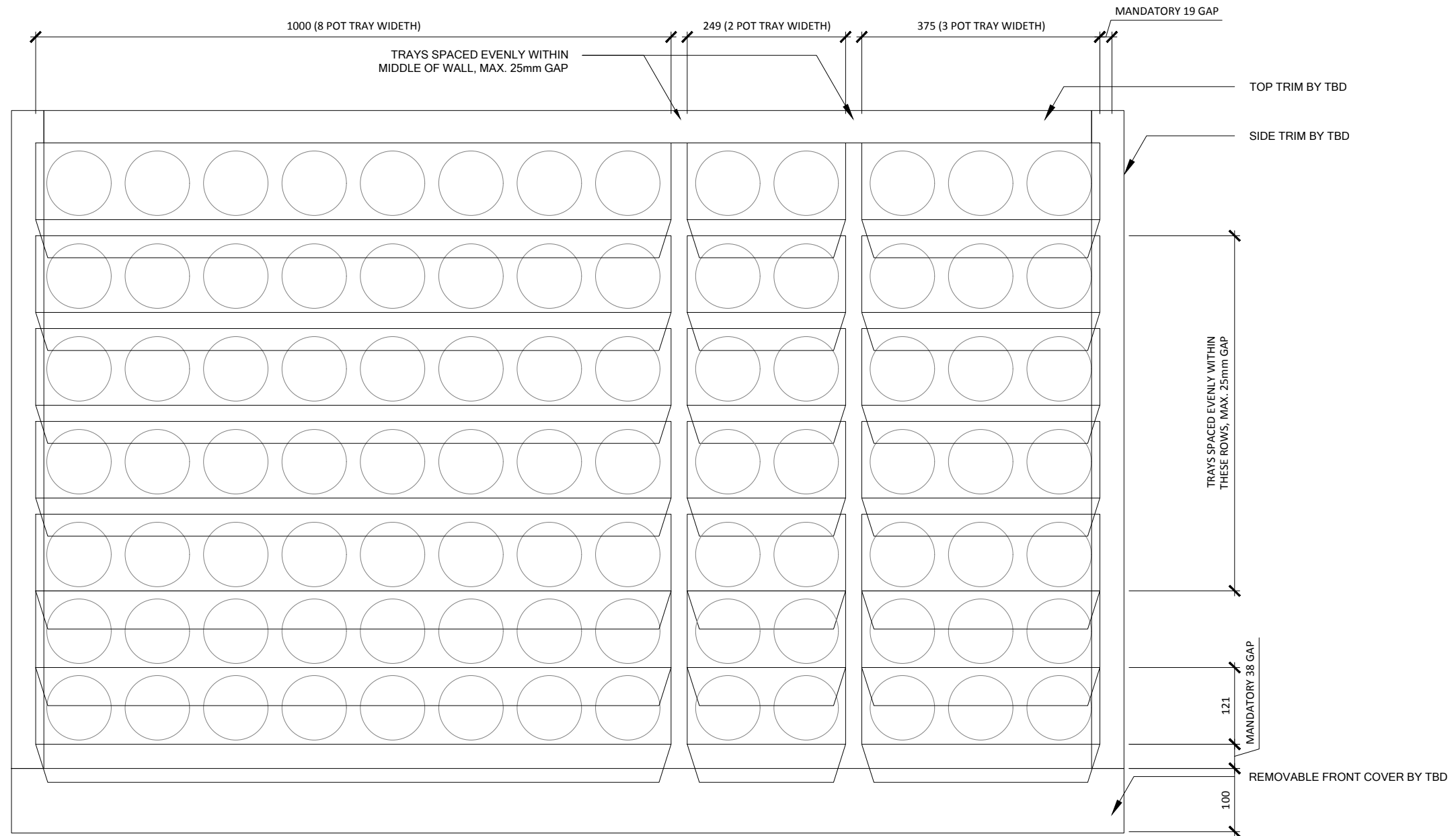


**LIGHTING**  
LED or Metal Halide Lights recommended

Duration	10-12 hrs/day
Color Temp	4000-4500K
Intensity	150fc / 1500 lux (Even Flood)

< 2400	OK			
< 4000	OK	OK		
> 4000		OK	OK	OK

**MAINT. ACCESS**  
Walls over 40' / 12m need additional considerations. See GSKY maintenance manual.



**1** TRAY LAYOUT  
SCALE: 1:8

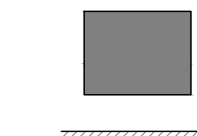


# VERSA WALL®

## VAM-42 TRAY LAYOUT

VER. 1.1

297x420 mm (A3)



**ABOVE FLOOR**

Weight is 10lbs/ft² 50kg/m²

51MM	SIDE/TOP
100MM	BOTTOM

**TRIM**

NOTE: pipes and edges of trays will be exposed unless recessed or covered



**HOSE WATER**

For 50 - 220 ft² / 5 - 20 m²  
Min width 11 1/4" / 29cm

SERVICE			
MANUAL	N/A	N/A	N/A
AUTOMATED	At Wall	At Wall	At Wall

**IRRIGATION**

It is recommended to install a drain whenever possible. Require GSKy's consultation for > 35' / 10.5 m height wall.



**LIGHTING**

LED or Metal Halide Lights recommended

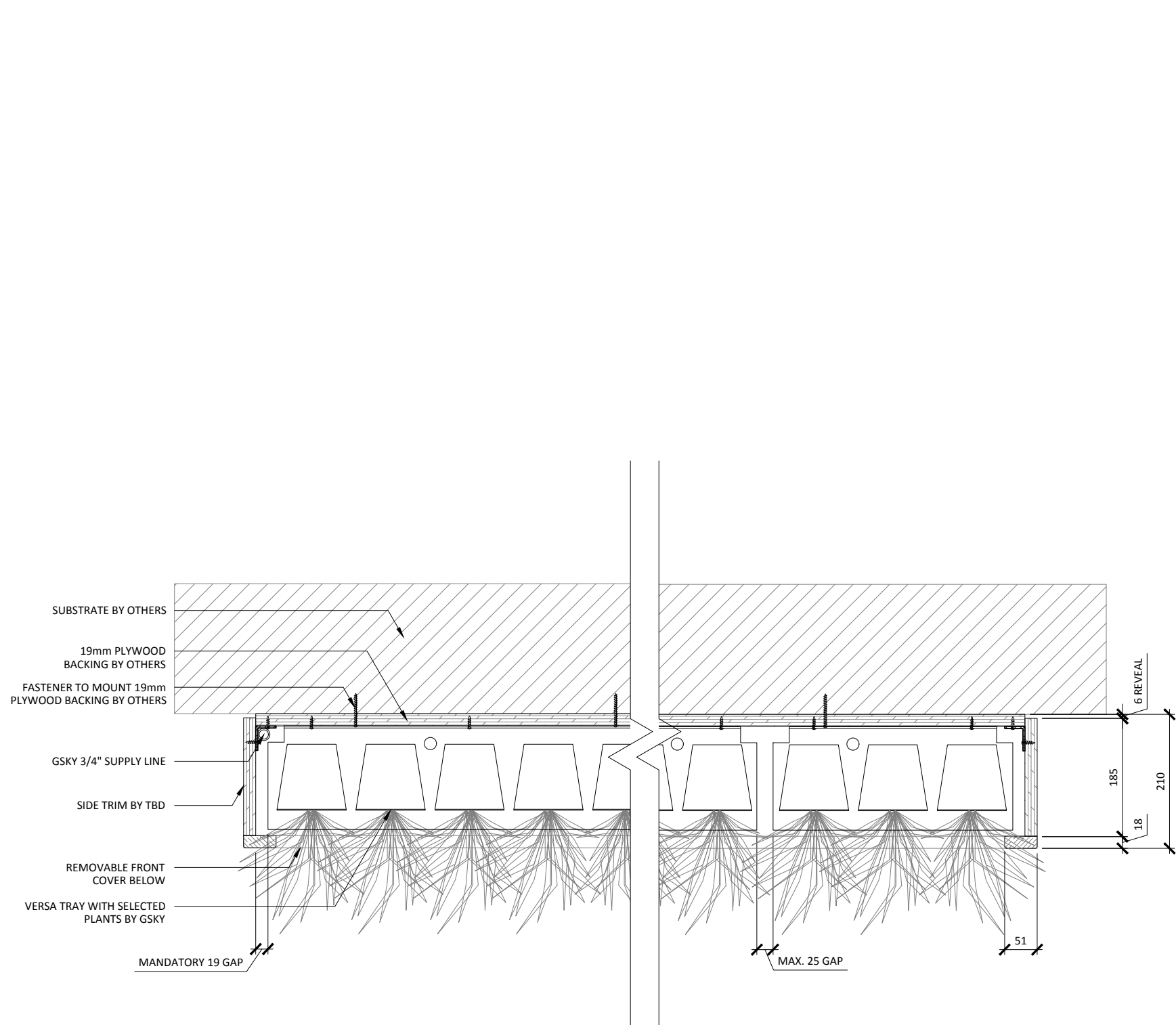
Duration	10-12 hrs/day
Color Temp	4000-4500K
Intensity	150fc / 1500 lux (Even Flood)

< 2400	OK		
< 4000	OK	OK	
> 4000		OK	OK

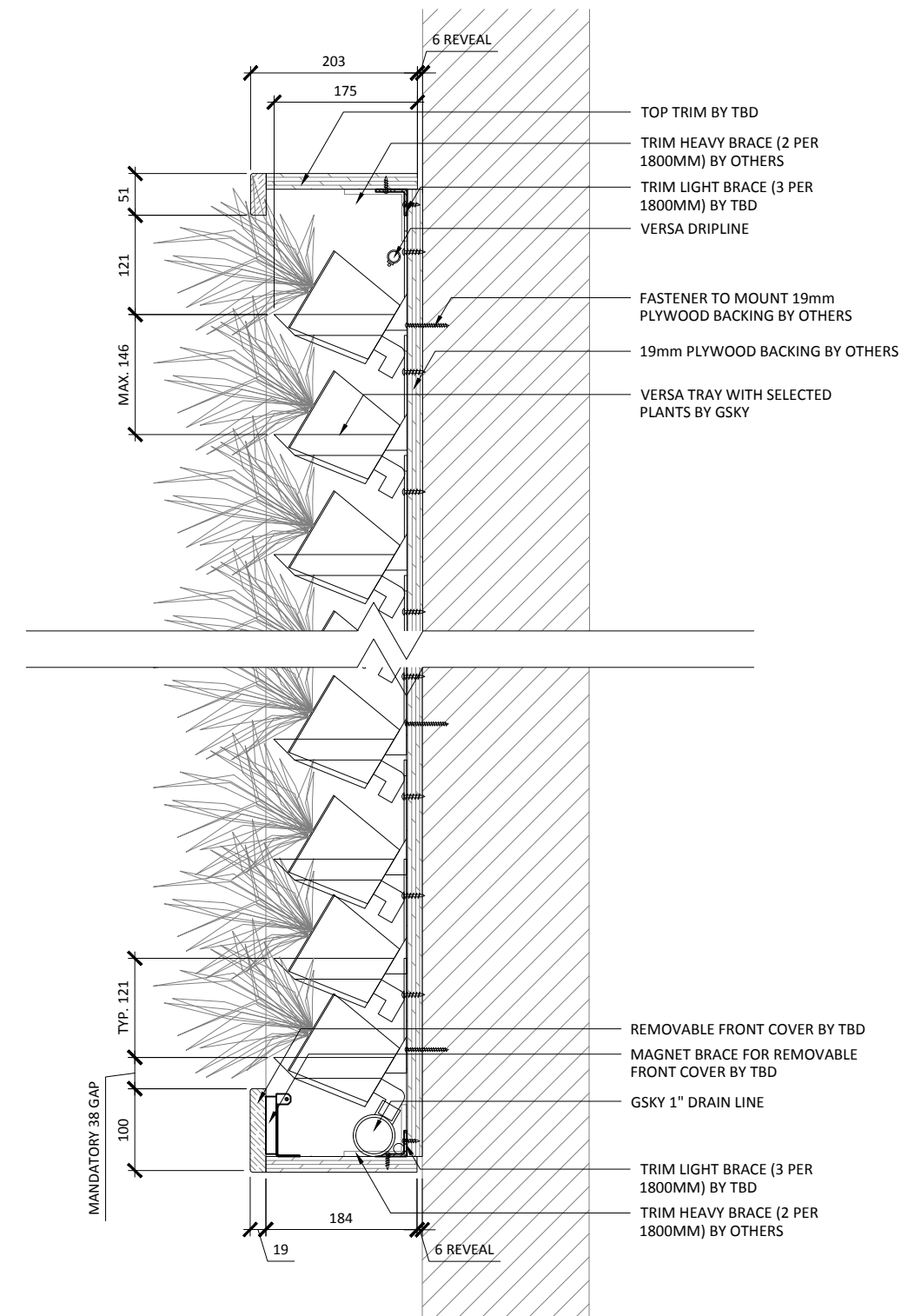
**MAINT. ACCESS**

Walls over 40' / 12m need additional considerations. See GSKy maintenance manual.

**GV3.0**



**1 PLAN DETAIL**  
SCALE: 1:8



**2 SECTION DETAIL**  
SCALE: 1:8

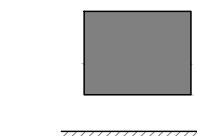


# VERSA WALL®

## VAM-42 DETAILS

VER. 1.1

297x420 mm (A3)



**ABOVE FLOOR**

Weight is 10lbs/ft² 50kg/m²

51MM	SIDE/TOP
100MM	BOTTOM

**TRIM**

NOTE: pipes and edges of trays will be exposed unless recessed or covered



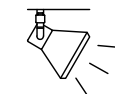
**HOSE WATER**

For 50 - 220 ft² / 5 - 20 m²  
Min width 11 3/4" / 29cm

SERVICE			
MANUAL	N/A	N/A	N/A
AUTOMATED	At Wall	At Wall	At Wall

**IRRIGATION**

It is recommended to install a drain whenever possible. Require GSKY's consultation for > 35' / 10.5 m height wall.



**LIGHTING**

LED or Metal Halide Lights recommended

Duration	10-12 hrs/day
Color Temp	4000-4500K
Intensity	150fc / 1500 lux (Even Flood)

< 2400	OK			
< 4000	OK	OK		
> 4000		OK	OK	OK

**MAINT. ACCESS**

Walls over 40' / 12m need additional considerations. See GSKY maintenance manual.

**GV3.1**