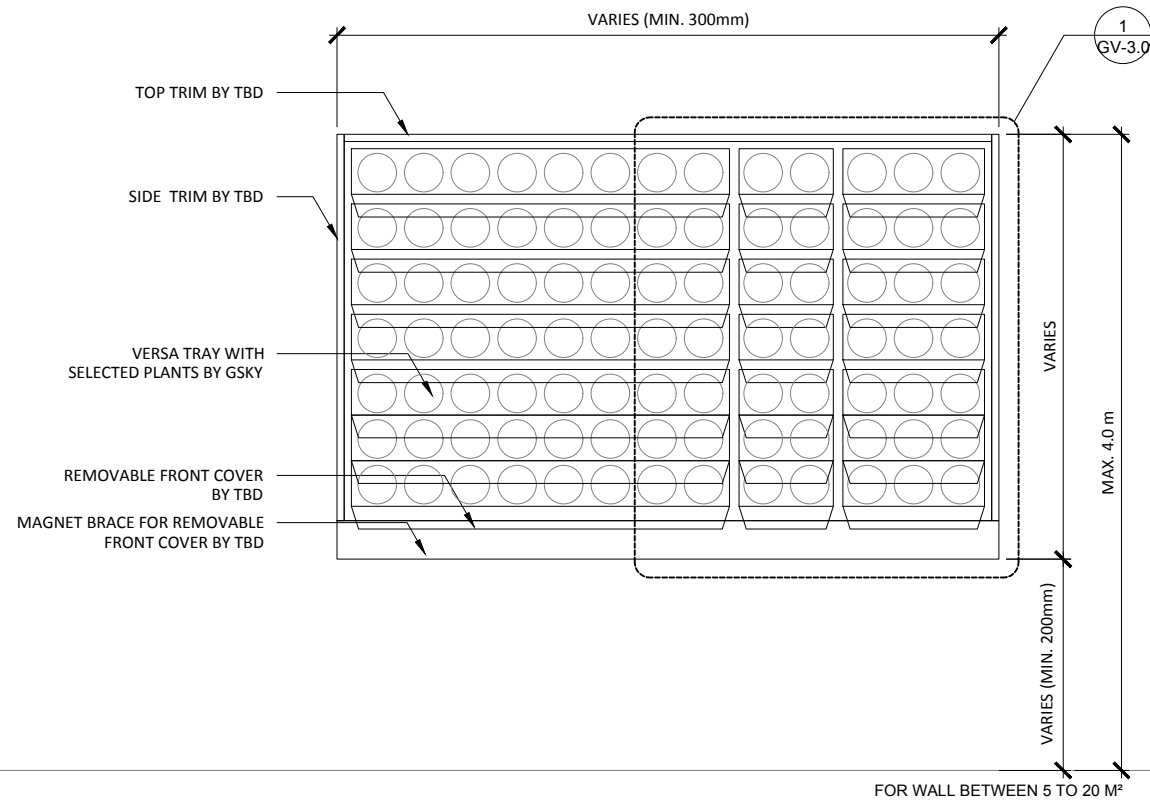
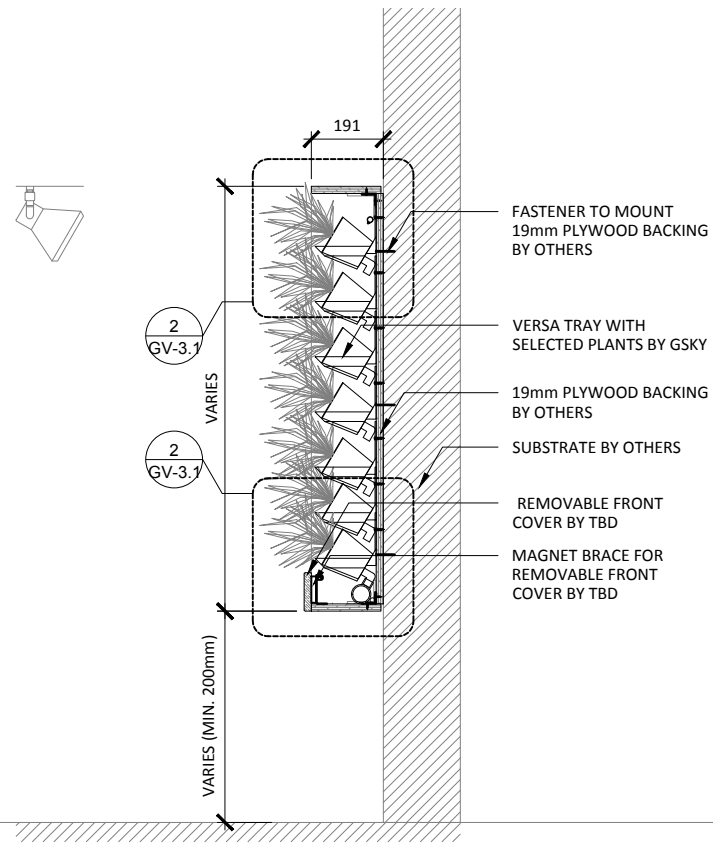


VERSA WALL®

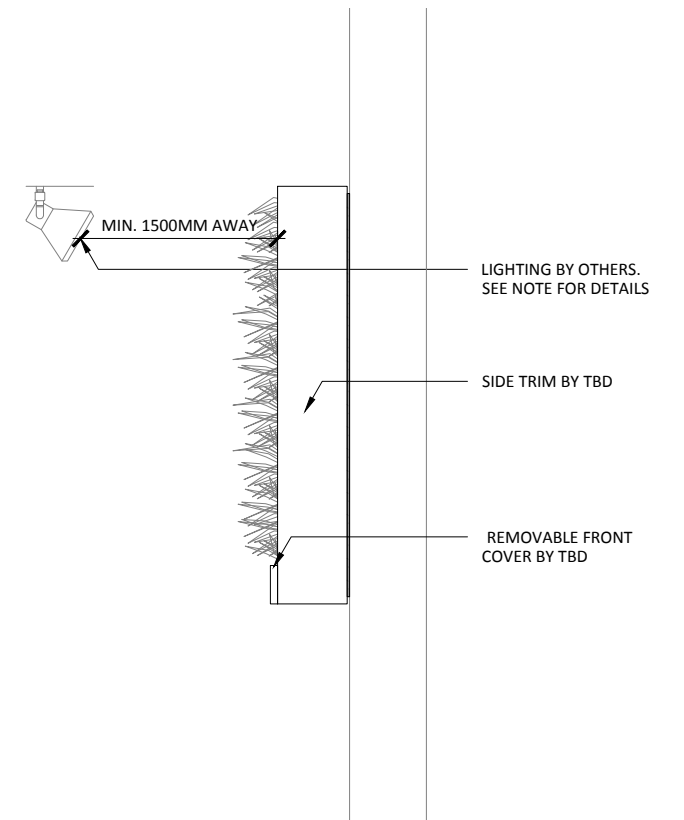
ABOVE THE FLOOR / HOSE WATER
VAM-40



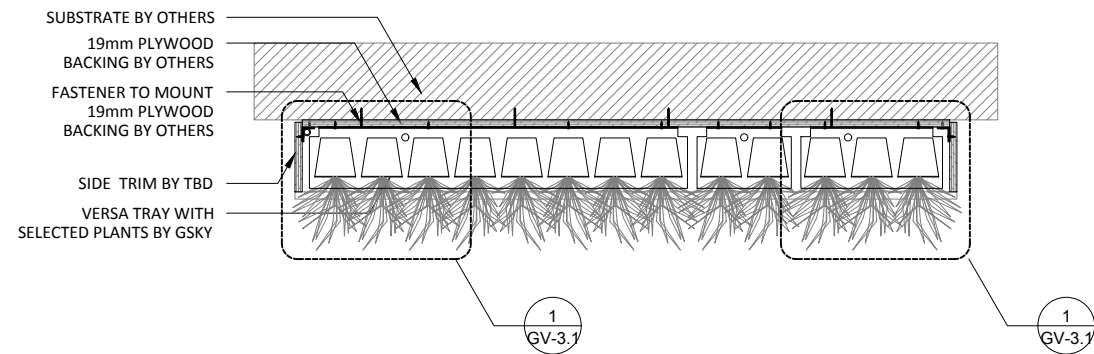
1 ELEVATION
SCALE: 1:20



3 SECTION
SCALE: 1:20



4 SIDE
SCALE: 1:20



2 PLAN
SCALE: 1:20



VERSA WALL[®]
VAM-40 GENERAL OVER VIEW
VER. 1.1 297x420 mm (A3)

ABOVE FLOOR
Weight is 10lbs/ft² / 50kg/m²

19MM	SIDE/TOP
100MM	BOTTOM

TRIM
NOTE: pipes and edges of trays will be exposed unless recessed or covered

HOSE WATER
For 50 - 220 ft² / 5 - 20 m²
Min width 11 1/4" / 29cm

SERVICE			
MANUAL	N/A	N/A	N/A
AUTOMATED	At Wall	At Wall	At Wall

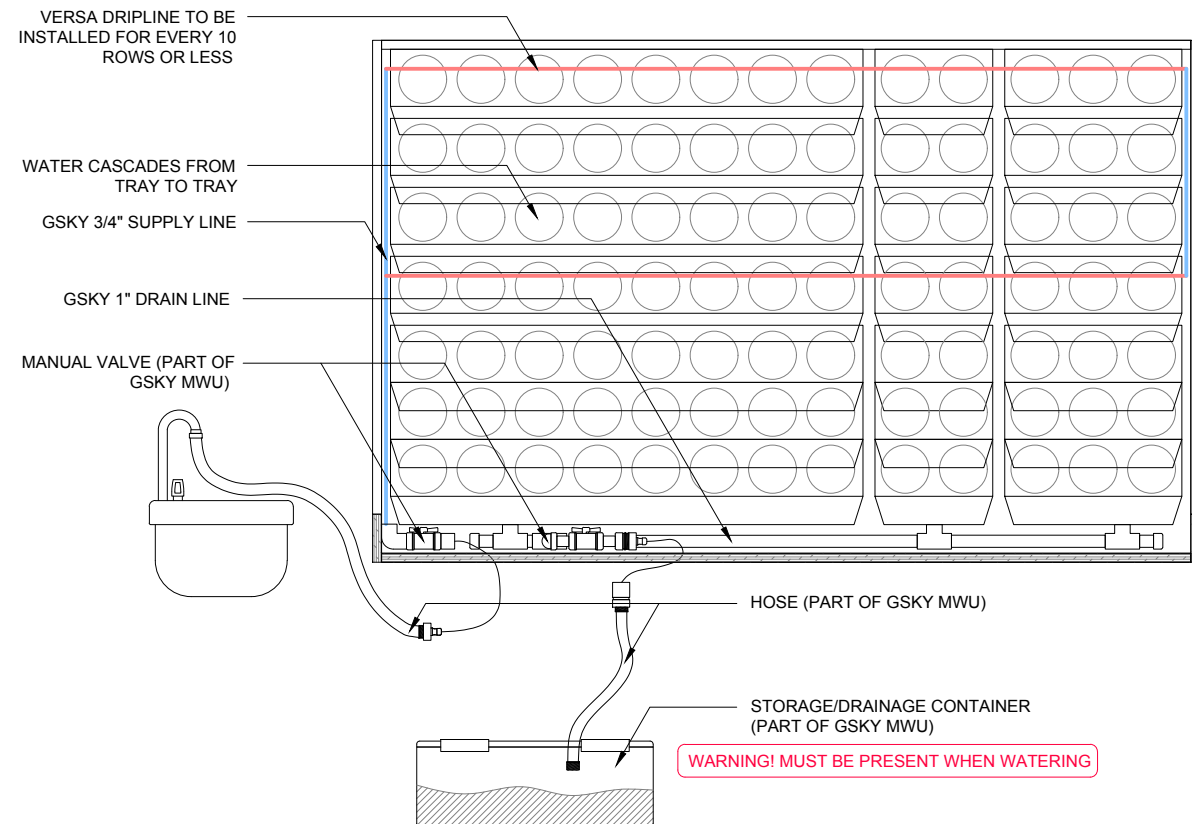
IRRIGATION
It is recommended to install a drain whenever possible. Require GSKy's consultation for > 35' / 10.5 m height wall.

LIGHTING
LED or Metal Halide Lights recommended
Duration 10-12 hrs/day
Color Temp 4000-4500K
Intensity 150fc / 1500 lux (Even Flood)

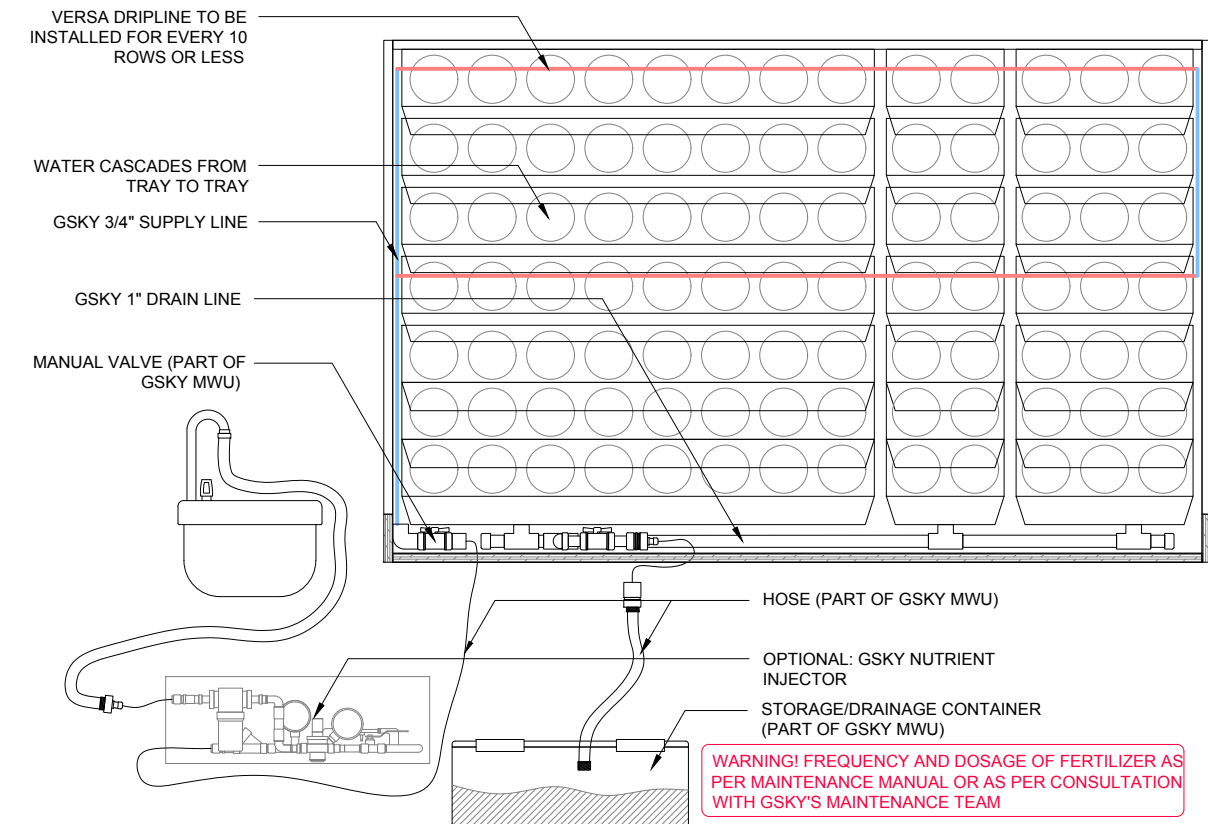
< 2400	OK			
< 4000	OK	OK		
> 4000		OK	OK	OK

MAINT. ACCESS
Walls over 40' / 12m need additional considerations. See GSKy maintenance manual.

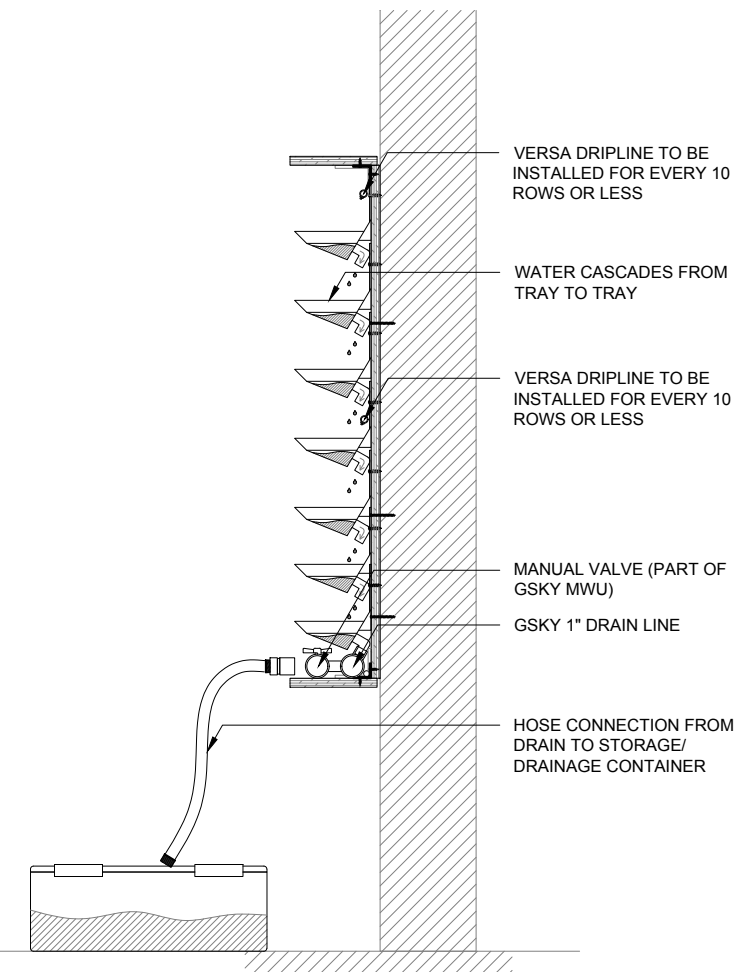
GV1.0



1 ELEVATION - IRRIGATION
SCALE: 1:16



2 OPTIONAL: ELEVATION - FERTILIZATION
SCALE: 1:16



3 SECTION - DRAIN
SCALE: 1:16



VERSA WALL[®]
VAM-40 IRRIGATION OVERVIEW
VER. 1.1 297x420 mm (A3)

ABOVE FLOOR
Weight is 10lbs/ft² 50kg/m²

19MM SIDE/TOP
100MM BOTTOM
TRIM
NOTE: pipes and edges of trays will be exposed unless recessed or covered

HOSE WATER
For 50 - 220 ft² / 5 - 20 m²
Min width 11 1/4" / 29cm

SERVICE			
MANUAL	N/A	N/A	N/A
AUTOMATED	At Wall	At Wall	At Wall

IRRIGATION
It is recommended to install a drain whenever possible. Require GSKy's consultation for > 35' / 10.5 m height wall.

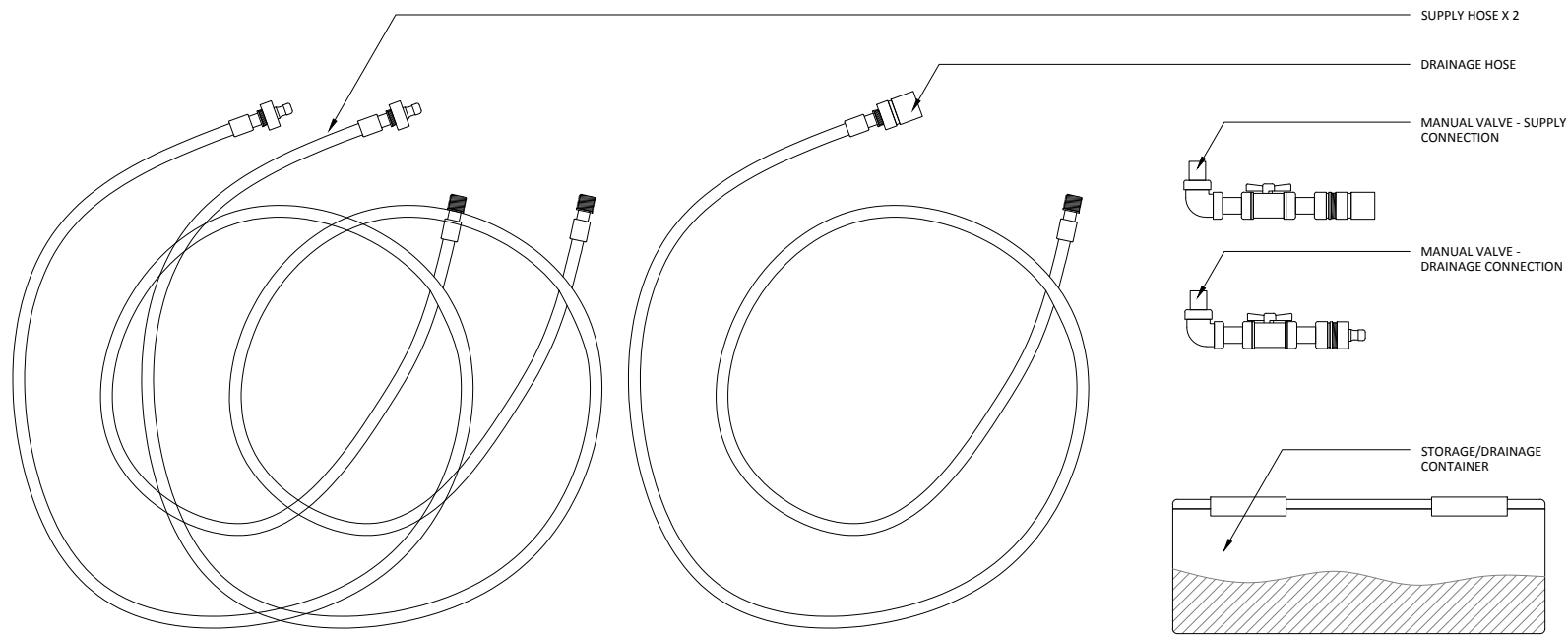
LIGHTING
LED or Metal Halide Lights recommended

Duration	10-12 hrs/day
Color Temp	4000-4500K
Intensity	150fc / 1500 lux (Even Flood)

MAINT. ACCESS
Walls over 40' / 12m need additional considerations. See GSKy maintenance manual.

< 2400	OK		
< 4000	OK	OK	
> 4000		OK	OK

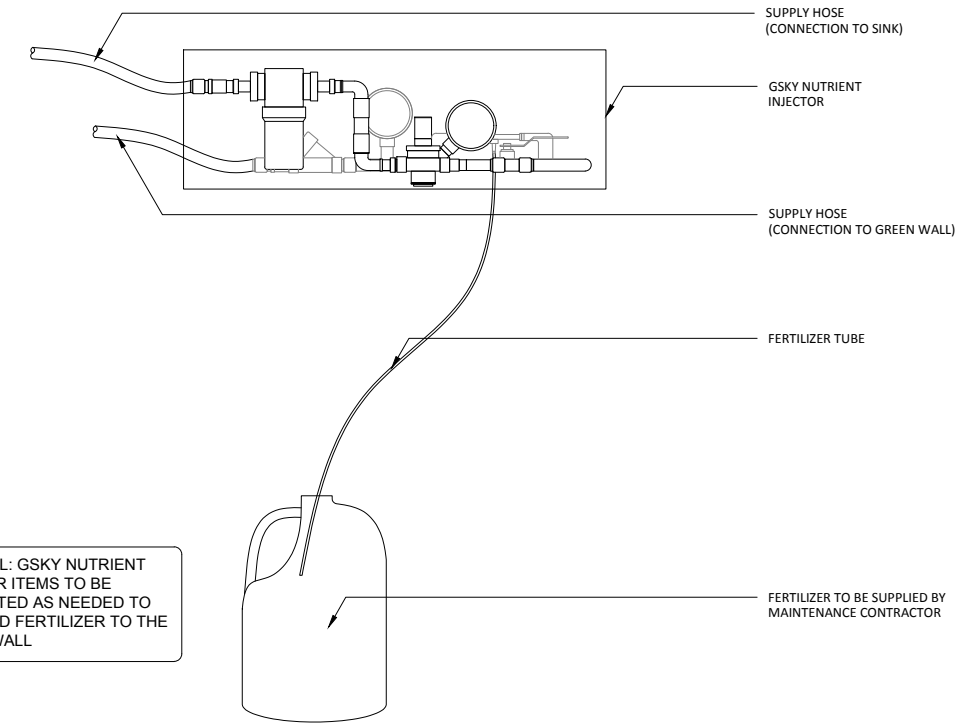
GV2.0



GSKY MUW ITEMS TO BE CONNECTED TO WATER SUPPLY AND DRAIN LINE DURING EVERY MAINTENANCE SESSION.

3 HOSES
2 MANUAL VALVES
1 STORAGE/DRAINAGE CONTAINER

1 GSKY MANUAL WATERING UNIT (MWU)
SCALE: 1:10



OPTIONAL: GSKY NUTRIENT INJECTOR ITEMS TO BE CONNECTED AS NEEDED TO PROVIDED FERTILIZER TO THE GREEN WALL

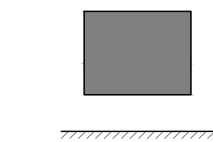
2 OPTIONAL: GSKY NUTRIENT INJECTOR
SCALE: 1:10



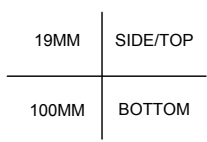
VERSA WALL®

VAM-40 IRRIGATION SYSTEM

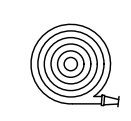
VER. 1.1 297x420 mm (A3)



ABOVE FLOOR
Weight is 10lbs/ft² 50kg/m²



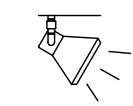
TRIM
NOTE: pipes and edges of trays will be exposed unless recessed or covered



HOSE WATER
For 50 - 220 ft² / 5 - 20 m²
Min width 11 1/4" / 29cm

SERVICE			
MANUAL	N/A	N/A	N/A
AUTOMATED	At Wall	At Wall	At Wall

IRRIGATION
It is recommended to install a drain whenever possible. Require GSKY's consultation for > 35' / 10.5 m height wall.

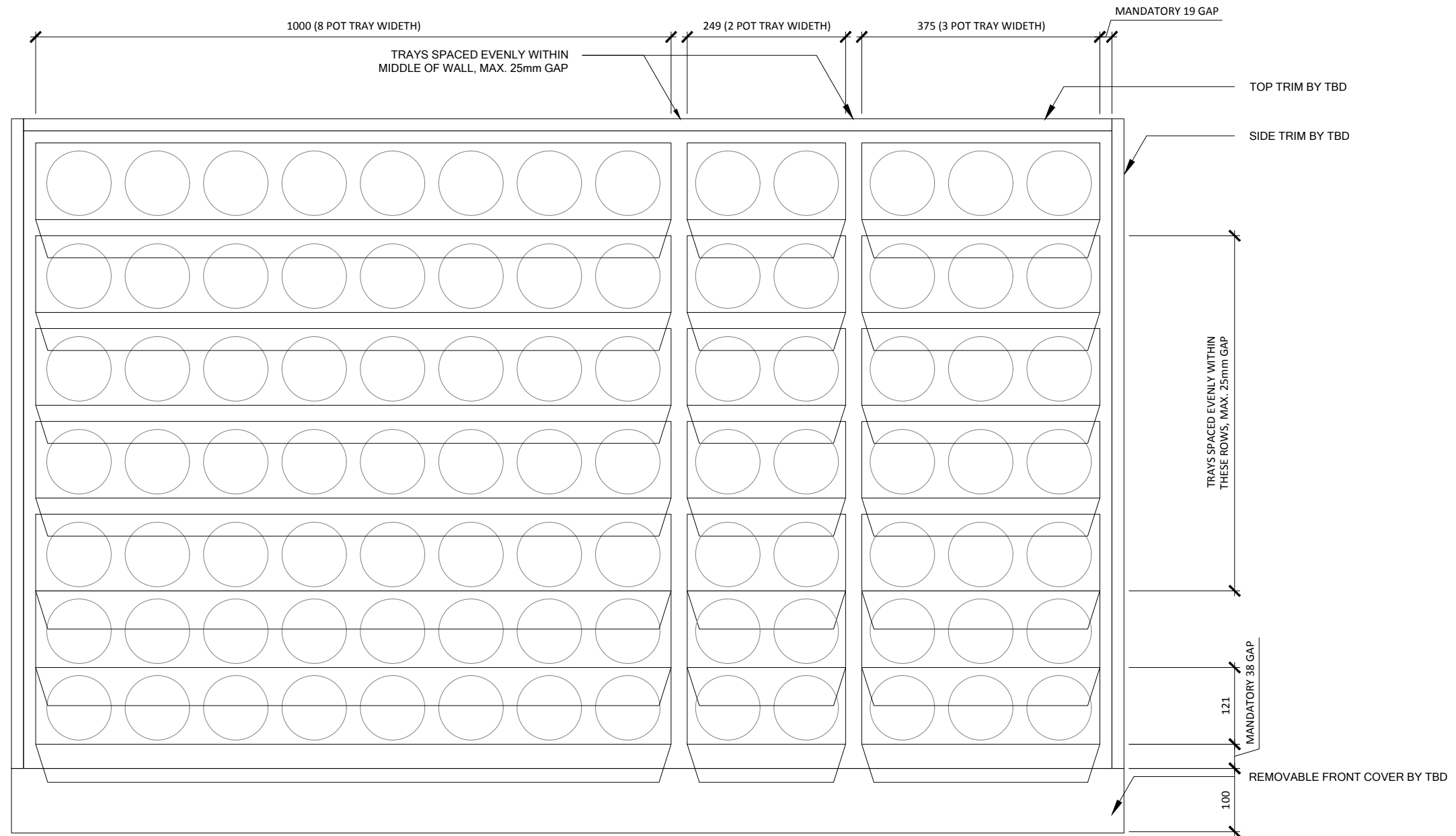


LIGHTING
LED or Metal Halide Lights recommended

	Duration
	10-12 hrs/day
	Color Temp
	4000-4500K
	Intensity
	150fc / 1500 lux (Even Flood)

< 2400	OK			
< 4000	OK	OK		
> 4000		OK	OK	OK

MAINT. ACCESS
Walls over 40' / 12m need additional considerations. See GSKY maintenance manual.



1 TRAY LAYOUT
SCALE: 1:8



VERSA WALL[®]

VAM-40 TRAY LAYOUT

VER. 1.1

297x420 mm (A3)



ABOVE FLOOR

Weight is 10lbs/ft² 50kg/m²

19MM	SIDE/TOP
100MM	BOTTOM

TRIM

NOTE: pipes and edges of trays will be exposed unless recessed or covered



HOSE WATER

For 50 - 220 ft² / 5 - 20 m²
Min width 11 1/4" / 29cm

SERVICE			
MANUAL	N/A	N/A	N/A
AUTOMATED	At Wall	At Wall	At Wall

IRRIGATION

It is recommended to install a drain whenever possible. Require GSKy's consultation for > 35' / 10.5 m height wall.



LIGHTING

LED or Metal Halide Lights recommended

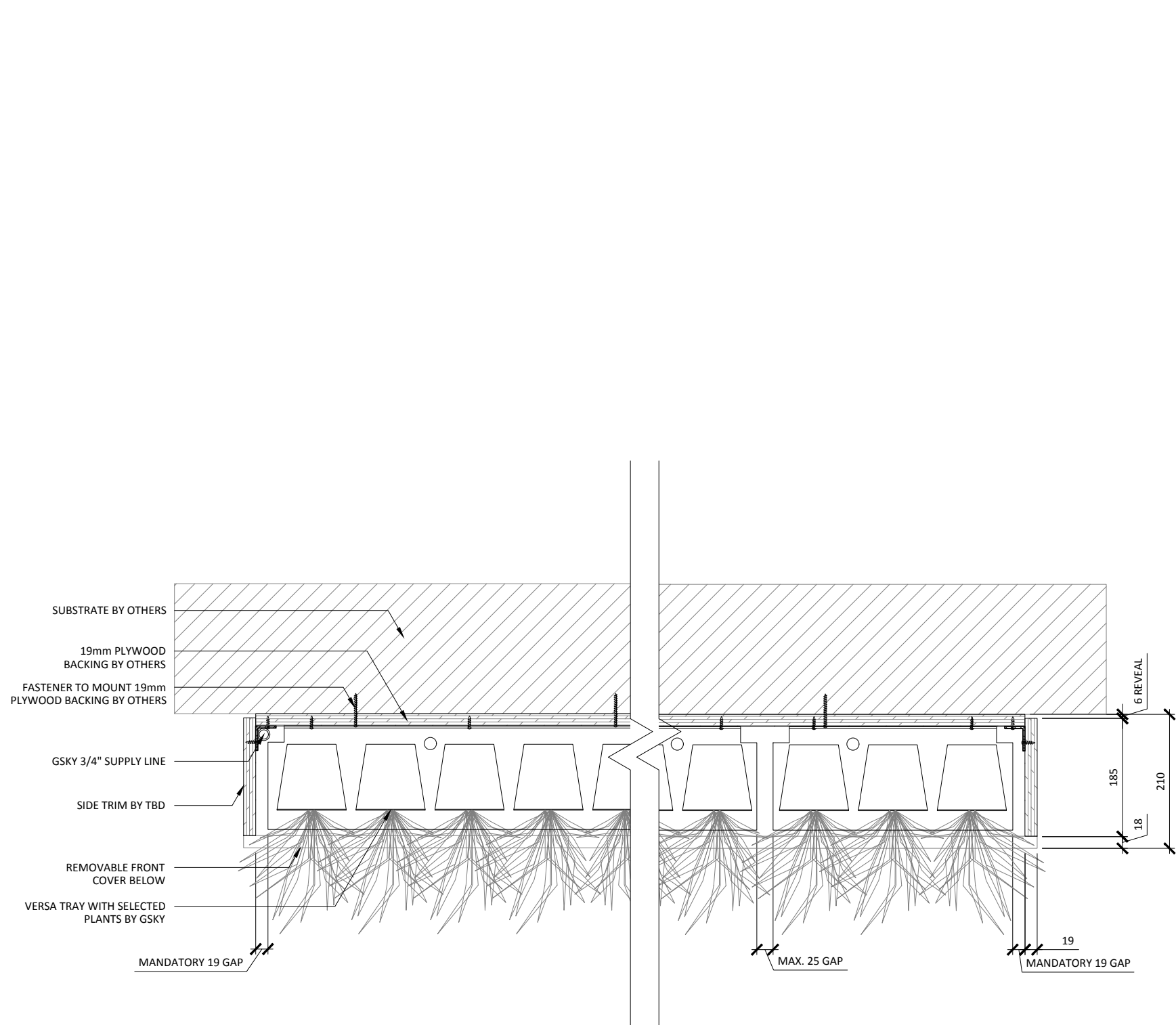
Duration
10-12 hrs/day
Color Temp
4000-4500K
Intensity
150fc / 1500 lux
(Even Flood)

< 2400	OK		
< 4000	OK	OK	
> 4000		OK	OK

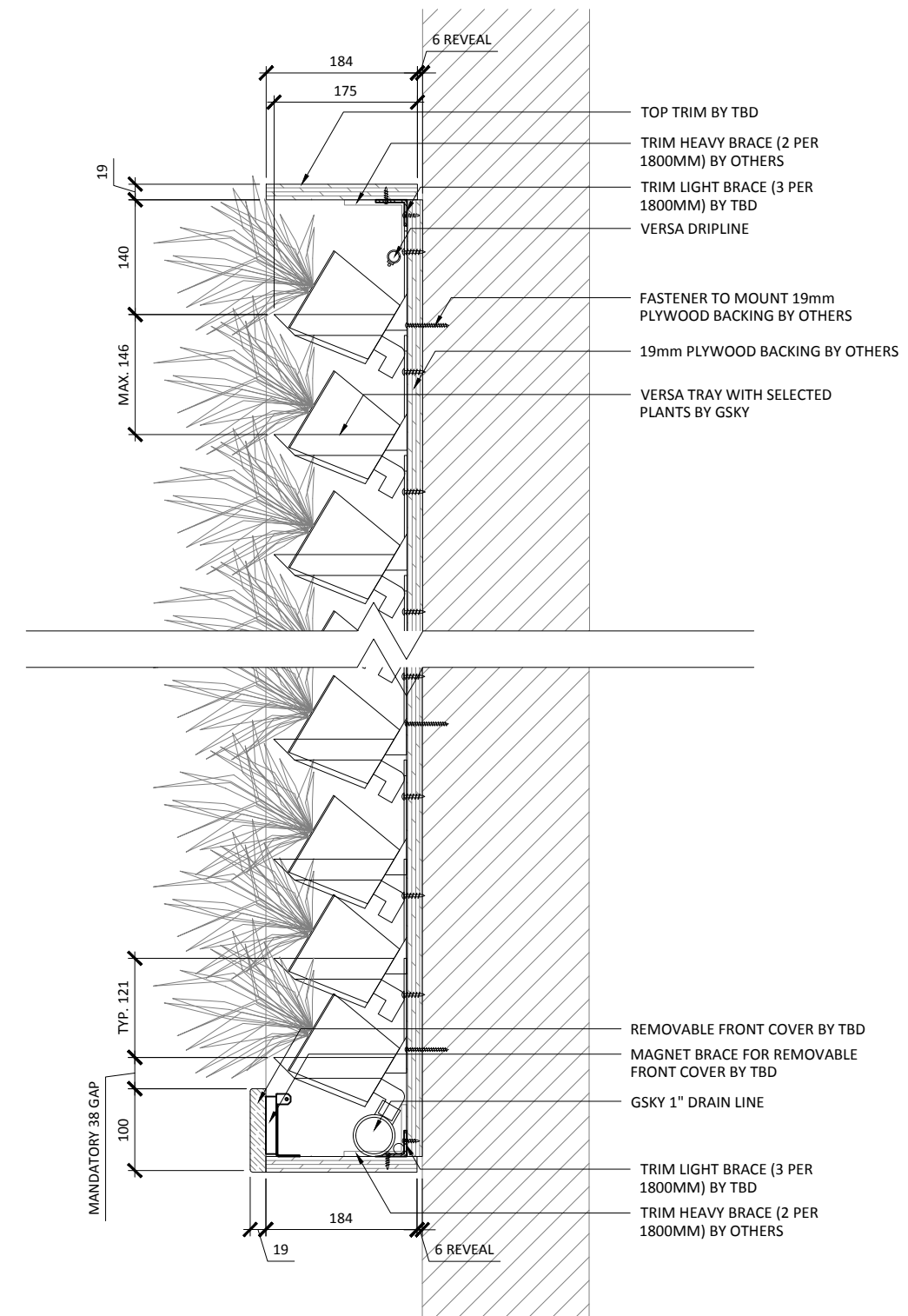
MAINT. ACCESS

Walls over 40' / 12m need additional considerations. See GSKy maintenance manual.

GV3.0



1 PLAN DETAIL
SCALE: 1:8



2 SECTION DETAIL
SCALE: 1:8

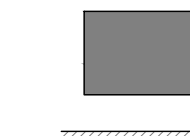


VERSA WALL®

VAM-40 DETAILS

VER. 1.1

297x420 mm (A3)



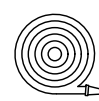
ABOVE FLOOR

Weight is 10lbs/ft² 50kg/m²

19MM	SIDE/TOP
100MM	BOTTOM

TRIM

NOTE: pipes and edges of trays will be exposed unless recessed or covered



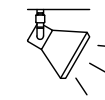
HOSE WATER

For 50 - 220 ft² / 5 - 20 m²
Min width 11 1/4" / 29cm

SERVICE			
MANUAL	N/A	N/A	N/A
AUTOMATED	At Wall	At Wall	At Wall

IRRIGATION

It is recommended to install a drain whenever possible. Require GSKy's consultation for > 35' / 10.5 m height wall.



LIGHTING

LED or Metal Halide Lights recommended

Duration	10-12 hrs/day
Color Temp	4000-4500K
Intensity	150fc / 1500 lux (Even Flood)

< 2400	OK			
< 4000	OK	OK		
> 4000		OK	OK	OK

MAINT. ACCESS

Walls over 40' / 12m need additional considerations. See GSKy maintenance manual.

GV3.1