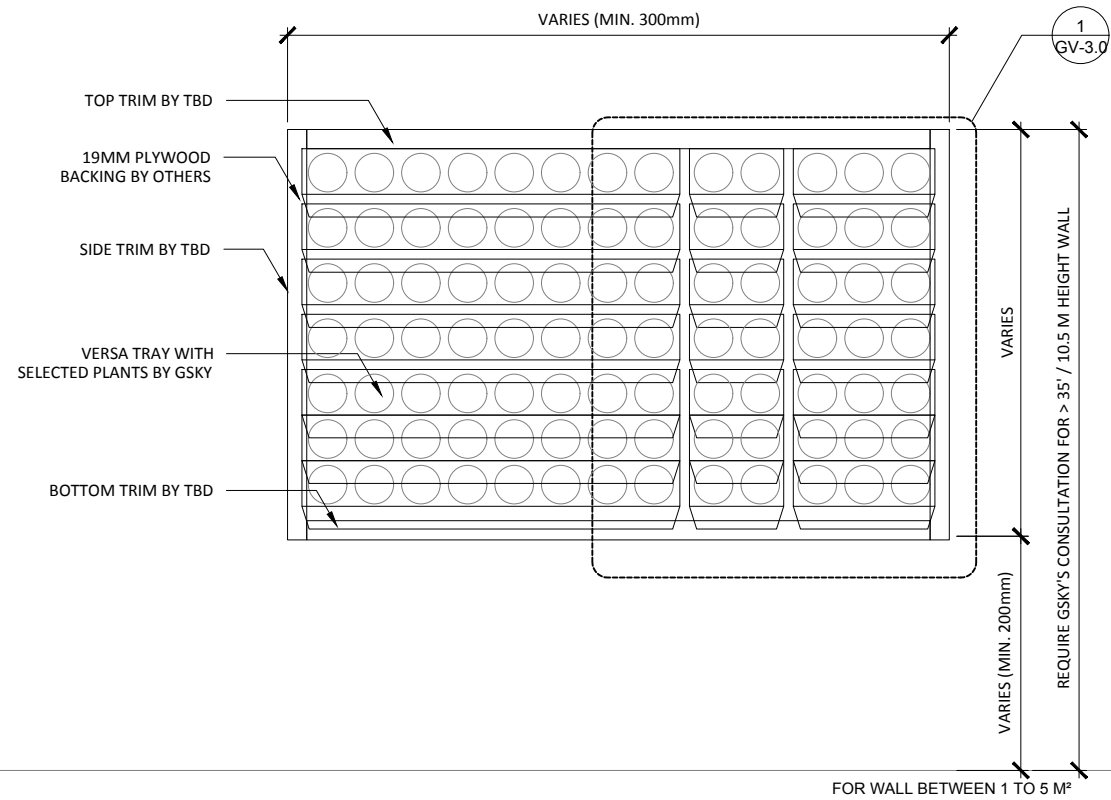
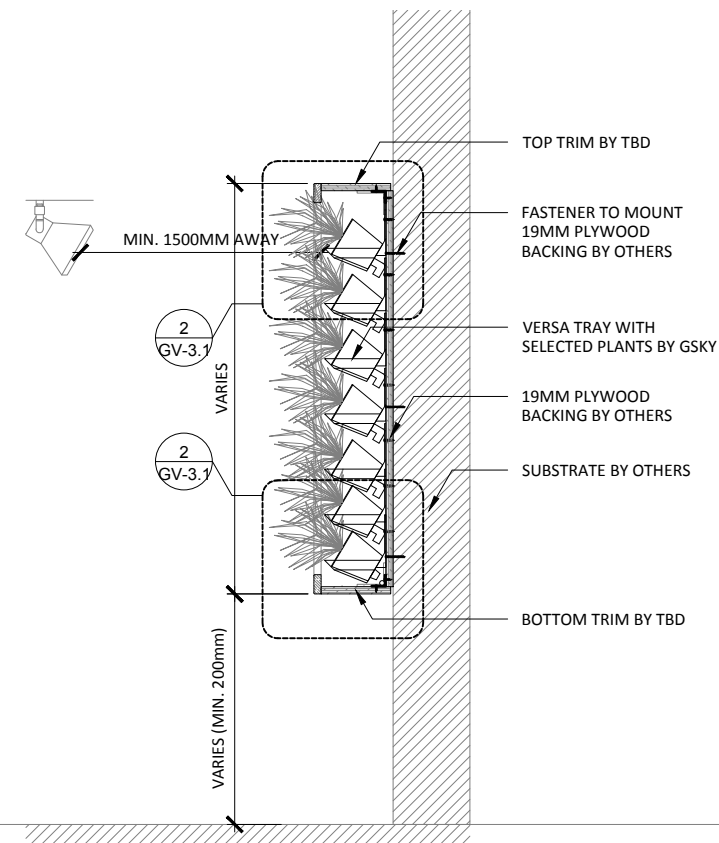


VERSA WALL®

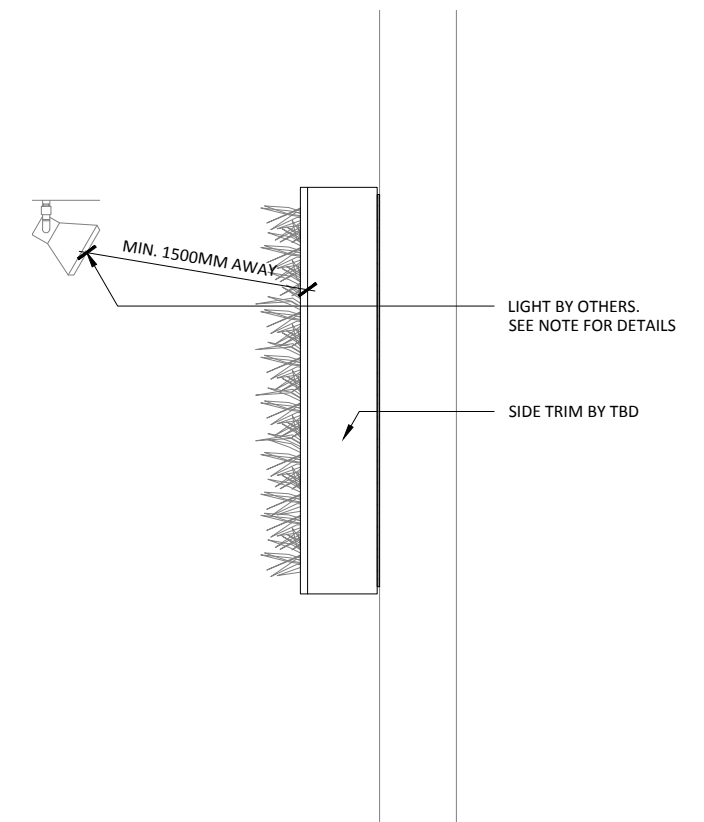
ABOVE THE FLOOR / HAND WATER
VAH-22



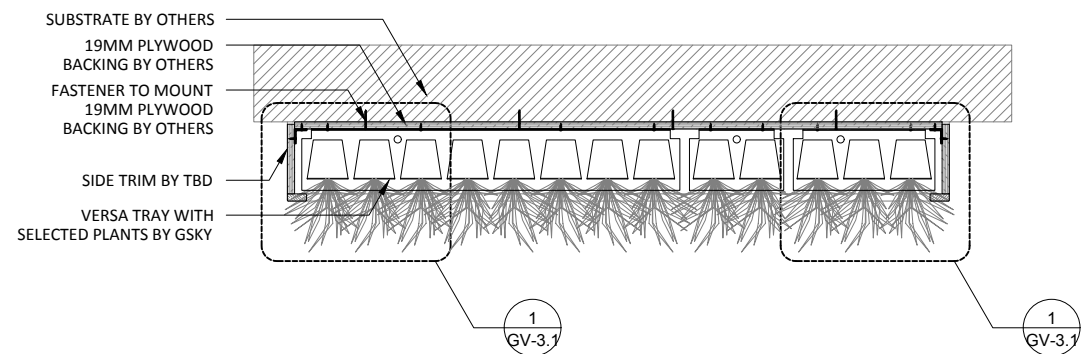
1 ELEVATION
SCALE: 1:20



3 SECTION
SCALE: 1:20



4 SIDE
SCALE: 1:20



2 PLAN
SCALE: 1:20



VERSA WALL[®]
VAH-22 GENERAL OVER VIEW
VER. 1.1 297x420 mm (A3)

ABOVE FLOOR
Weight is 10lbs/ft² / 50kg/m²

51MM	SIDE/TOP
51MM	BOTTOM

TRIM
NOTE: pipes and edges of trays will be exposed unless recessed or covered

HAND WATER
For 10 - 50 ft² / 1 - 5 m²
Min width 10" / 25cm

SERVICE			
MANUAL	N/A	N/A	N/A
AUTOMATED	At Wall	At Wall	At Wall

IRRIGATION
It is recommended to install a drain whenever possible. Require GSKY's consultation for > 35' / 10.5 m height wall.

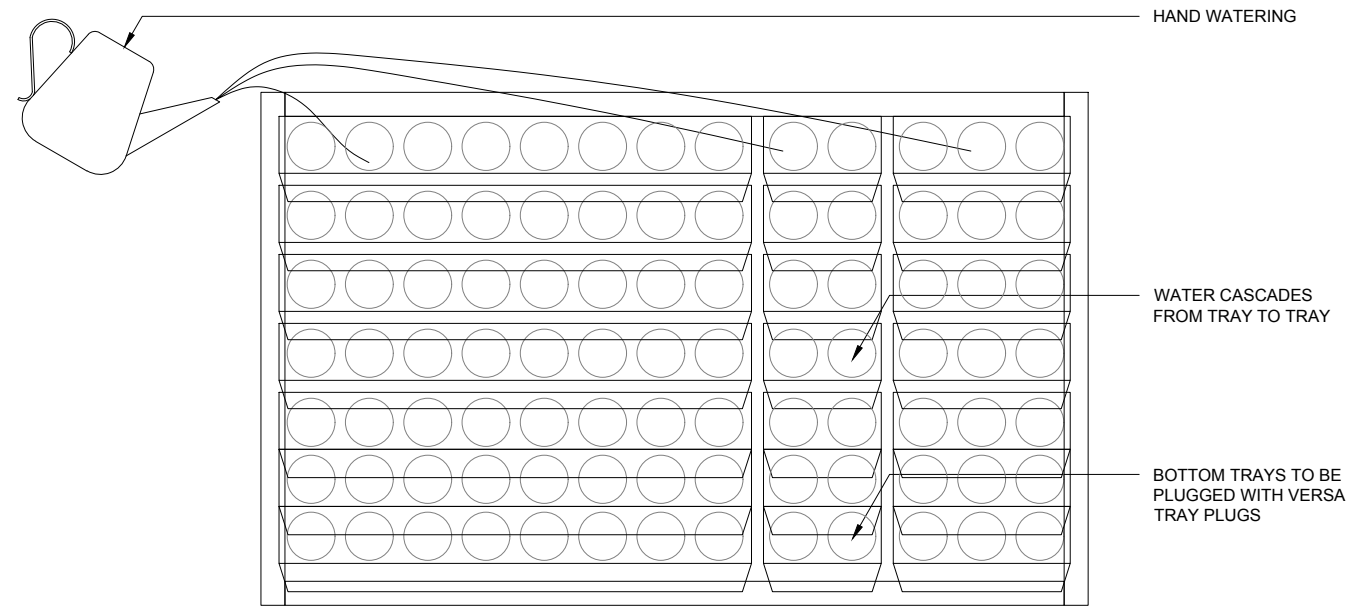
	Duration 10-12 hrs/day
	Color Temp 4000-4500K
	Intensity 150fc / 1500 lux (Even Flood)

LIGHTING
LED or Metal Halide Lights recommended

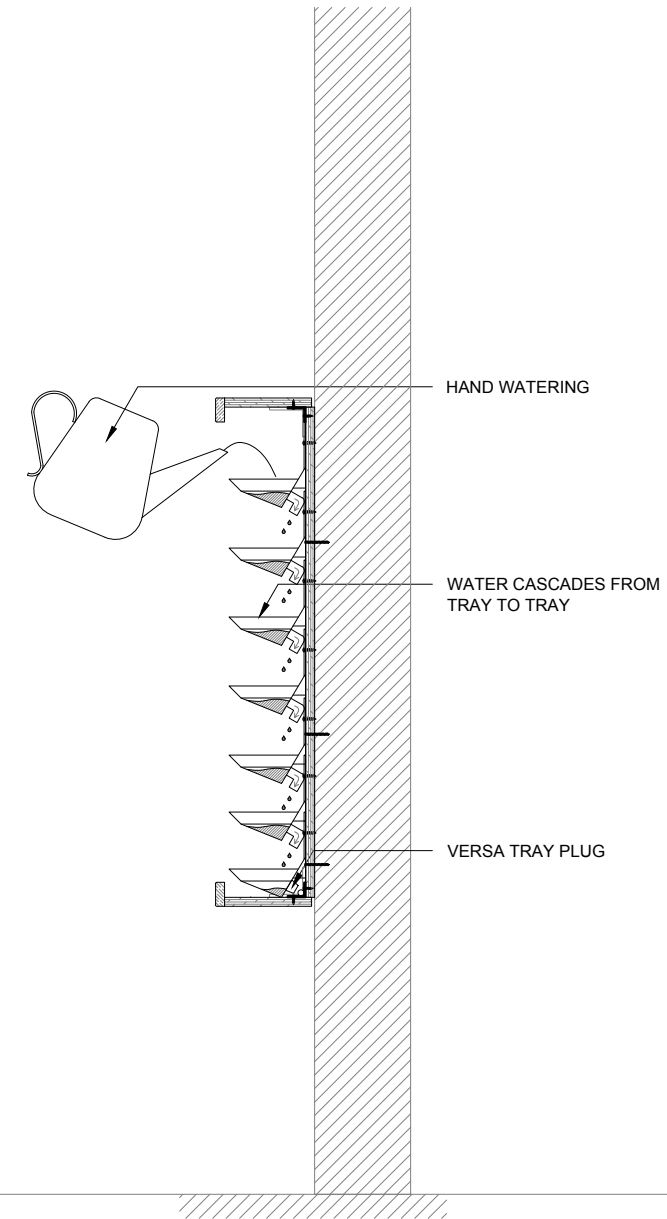
< 2400	OK		
< 4000	OK	OK	
> 4000		OK	OK

MAINT. ACCESS
Walls over 40' / 12m need additional considerations. See GSKY maintenance manual.

GV1.0



WARNING! BE CAREFUL NOT TO ADD TOO MUCH WATER AS IT MAY CAUSE OVERFLOW.



1 ELEVATION
SCALE: 1:16

2 SECTION
SCALE: 1:16



VERSA WALL[®]
VAI-22 IRRIGATION OVERVIEW
VER. 1.1 297x420 mm (A3)

ABOVE FLOOR
Weight is 10lbs/ft² / 50kg/m²

51MM SIDE/TOP
51MM BOTTOM
TRIM
NOTE: pipes and edges of trays will be exposed unless recessed or covered

HAND WATER
For 10 - 50 ft² / 1 - 5 m²
Min width 10" / 25cm

SERVICE			
MANUAL	N/A	N/A	N/A
AUTOMATED	At Wall	At Wall	At Wall

IRRIGATION
It is recommended to install a drain whenever possible. Require GSKy's consultation for > 35' / 10.5 m height wall.

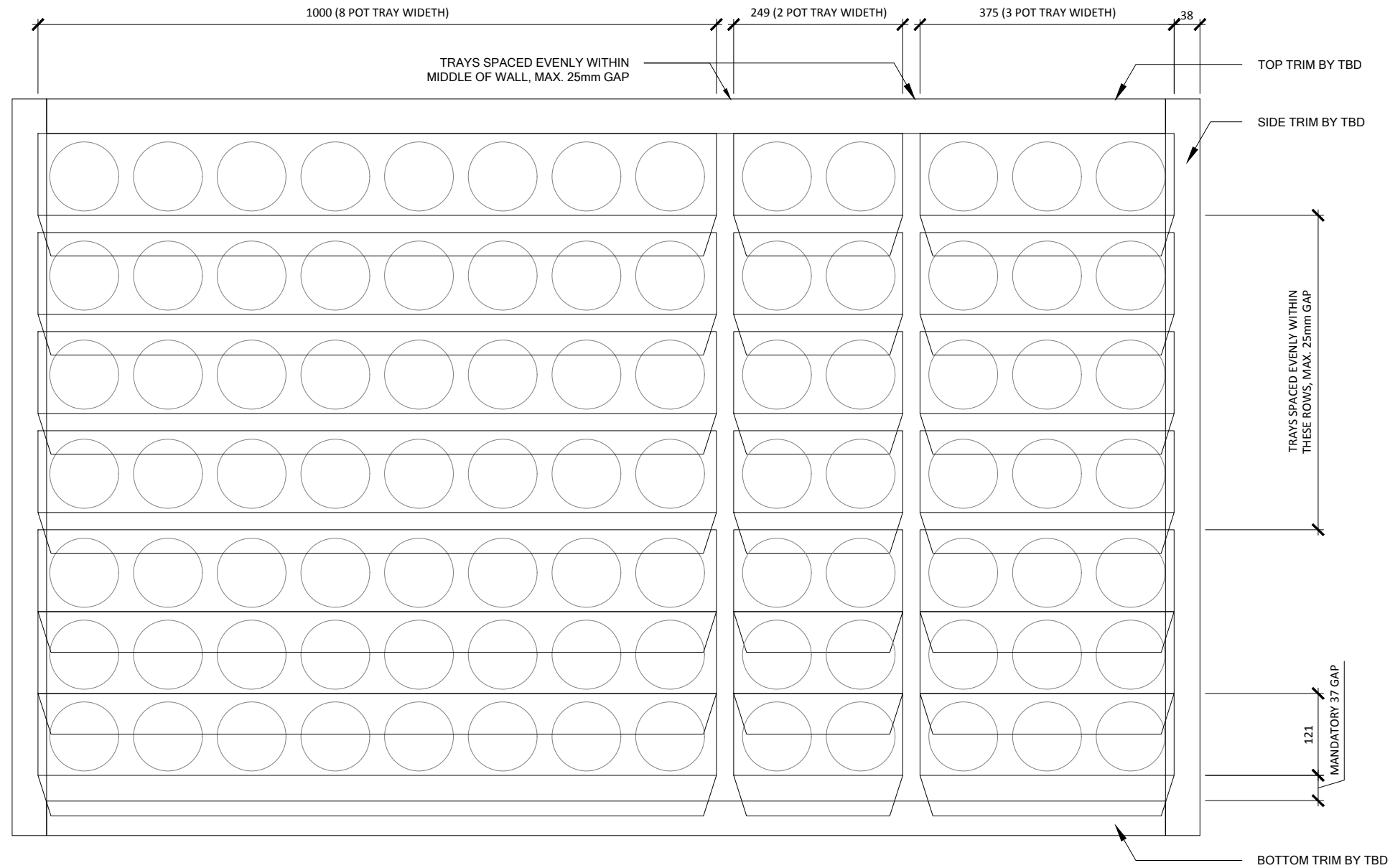
LIGHTING
LED or Metal Halide Lights recommended

Duration	10-12 hrs/day
Color Temp	4000-4500K
Intensity	150fc / 1500 lux (Even Flood)

MAINT. ACCESS
Walls over 40' / 12m need additional considerations. See GSKy maintenance manual.

< 2400	OK		
< 4000	OK	OK	
> 4000		OK	OK

GV2.0



1 TRAY LAYOUT
SCALE: 1:8

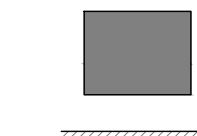


VERSA WALL®

VAI-22 TRAY LAYOUT

VER. 1.1

297x420 mm (A3)



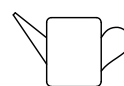
ABOVE FLOOR

Weight is 10lbs/ft² / 50kg/m²

51MM	SIDE/TOP
51MM	BOTTOM

TRIM

NOTE: pipes and edges of trays will be exposed unless recessed or covered



HAND WATER

For 10 - 50 ft² / 1 - 5 m²
Min width 10" / 25cm

SERVICE			
MANUAL	N/A	N/A	N/A
AUTOMATED	At Wall	At Wall	At Wall

IRRIGATION

It is recommended to install a drain whenever possible. Require GSKy's consultation for > 35' / 10.5 m height wall.



LIGHTING

LED or Metal Halide Lights recommended

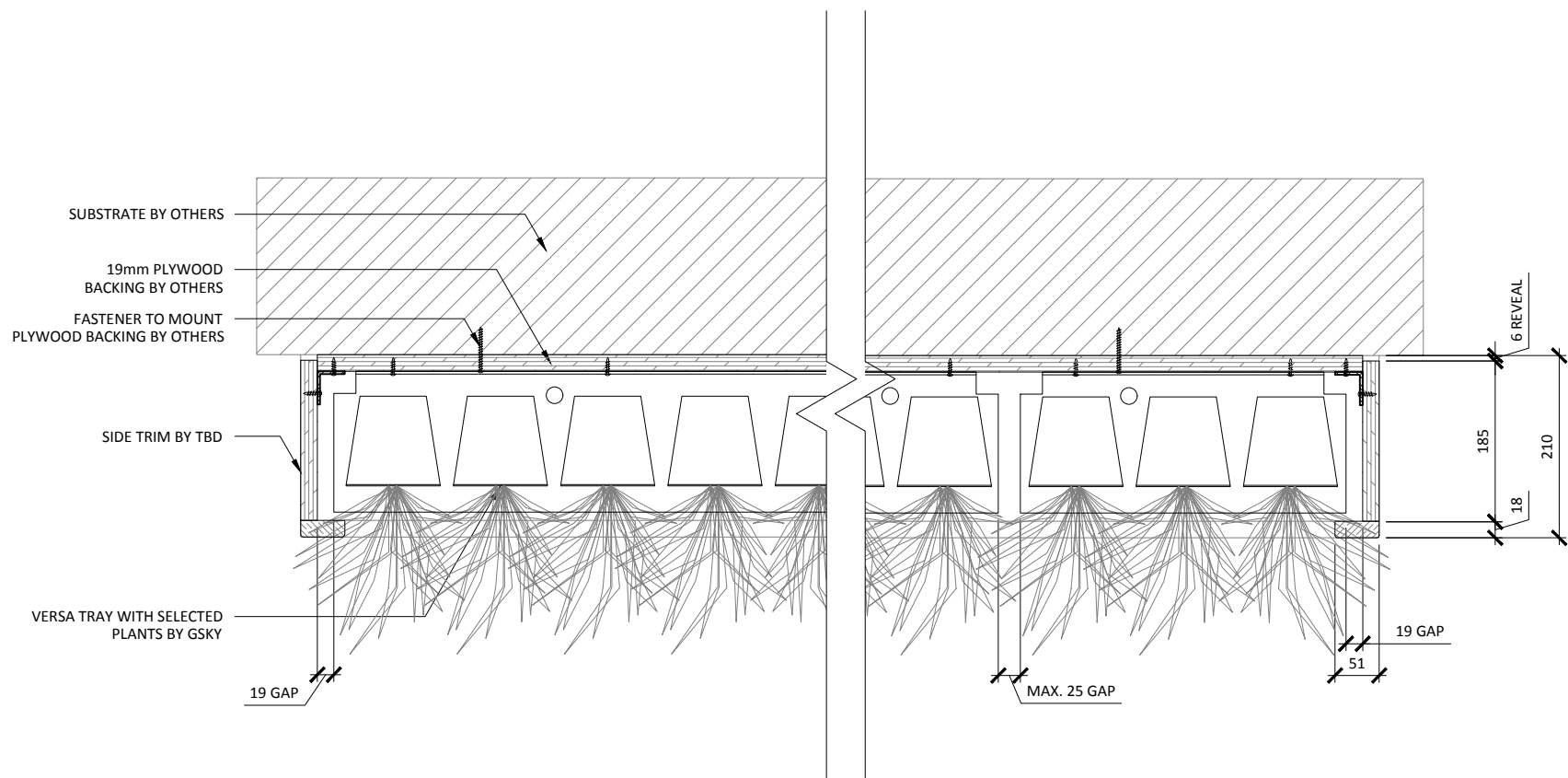
Duration	10-12 hrs/day
Color Temp	4000-4500K
Intensity	150fc / 1500 lux (Even Flood)

< 2400	OK			
< 4000	OK	OK		
> 4000		OK	OK	OK

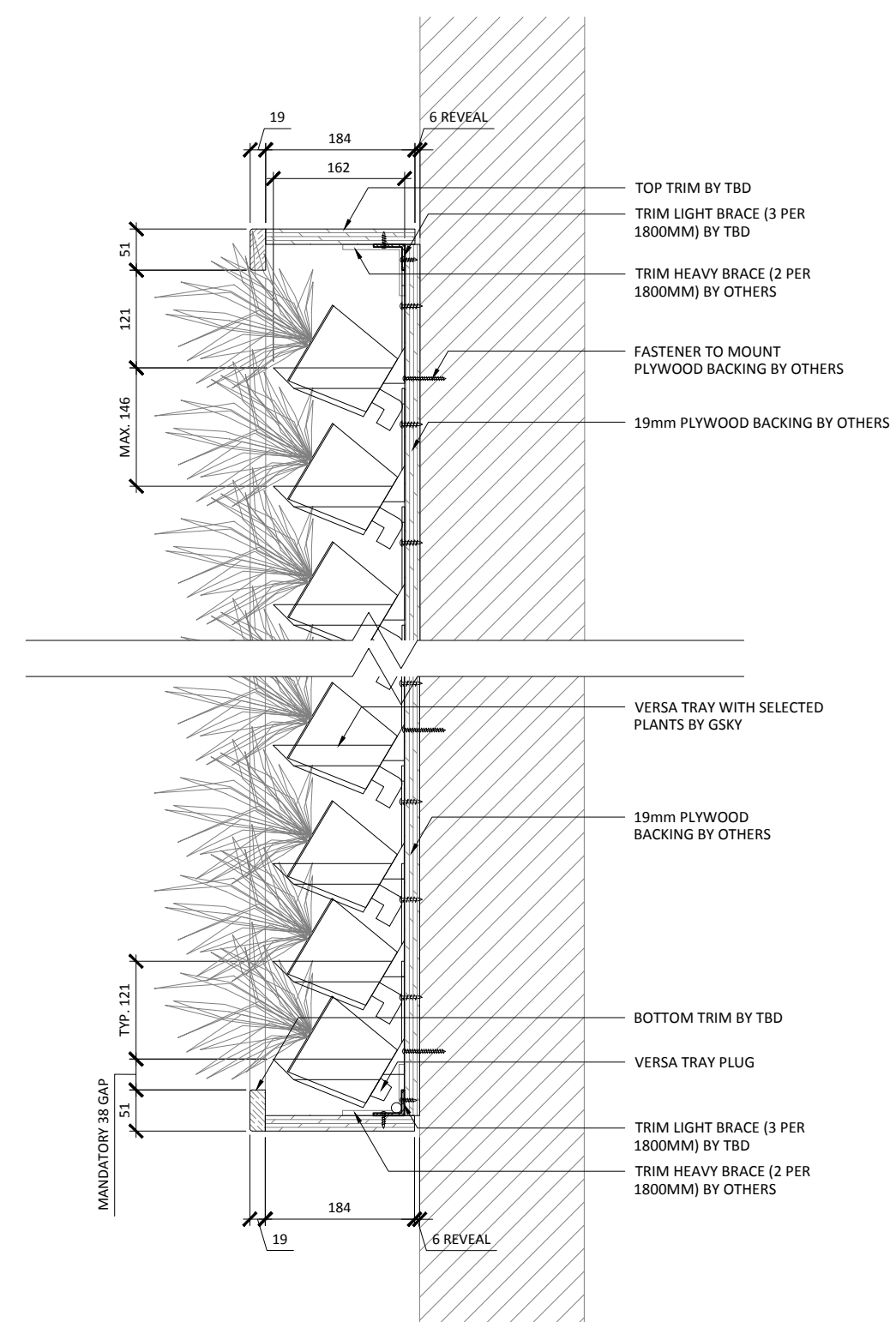
MAINT. ACCESS

Walls over 40' / 12m need additional considerations. See GSKy maintenance manual.

GV3.0



1 PLAN DETAIL
SCALE: 1:8



2 SECTION DETAIL
SCALE: 1:8

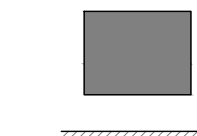


VERSA WALL®

VAI-22 DETAILS

VER. 1.1

297x420 mm (A3)



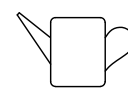
ABOVE FLOOR

Weight is 10lbs/ft² 50kg/m²

51MM	SIDE/TOP
51MM	BOTTOM

TRIM

NOTE: pipes and edges of trays will be exposed unless recessed or covered



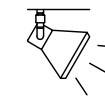
HAND WATER

For 10 - 50 ft² / 1 - 5 m²
Min width 10" / 25cm

SERVICE			
MANUAL	N/A	N/A	N/A
AUTOMATED	At Wall	At Wall	At Wall

IRRIGATION

It is recommended to install a drain whenever possible. Require GSKy's consultation for > 35' / 10.5 m height wall.



LIGHTING

LED or Metal Halide Lights recommended

Duration
10-12 hrs/day
Color Temp
4000-4500K
Intensity
150fc / 1500 lux
(Even Flood)

< 2400	OK			
< 4000	OK	OK		
> 4000		OK	OK	OK

MAINT. ACCESS

Walls over 40' / 12m need additional considerations. See GSKy maintenance manual.

GV3.1