

VINE CONTAINERS SPECIFICATION

OPTIONAL MAINTENANCE WALKWAY SHOWN FOR VERY TALL STRUCTURES



Plant Systems Inc.

#704 - 318 HOMER ST
VANCOUVER, BC V6B 2V2
604-708-0611 ph 604-357-1315 fax
www.gsky.com

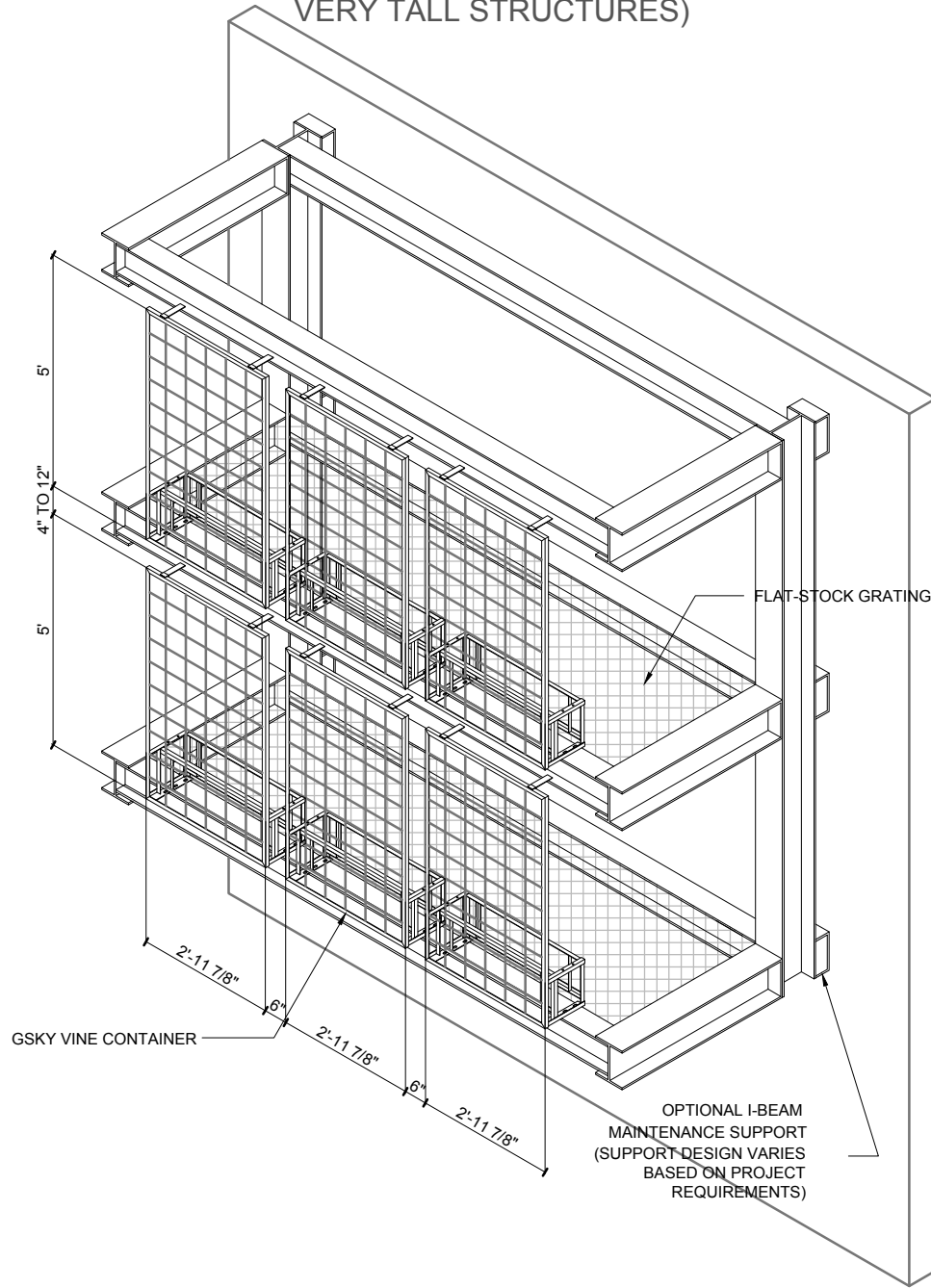
DRAWING #

GV-001

DATE: OCT 11, 2010

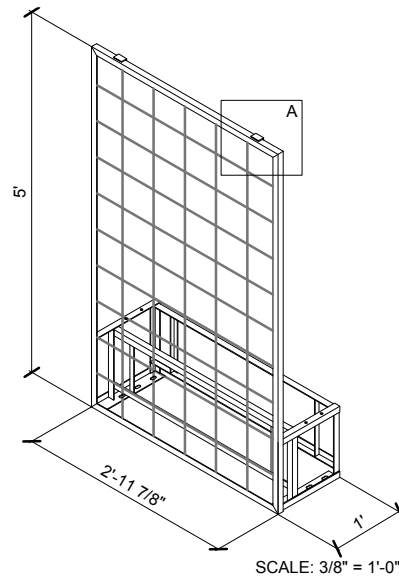
WALL MUST SUPPORT SATURATED GREEN WALL CONTAINER WEIGHT OF 8 LBS / SQFT
OPTIONAL MAINTENANCE WALKWAY SHOWN HERE MUST SUPPORT LIVE LOAD FOR MAINTENANCE, SHOULD BE INSTALLED WHEN MAINTENANCE FROM THE FRONT OF THE CONTAINERS IS NOT POSSIBLE
STRUCTURAL ENGINEERING DESIGN BY OTHERS
WATERPROOFING BY OTHERS (IF REQUIRED)

GSKY VINE CONTAINER
INSTALLED IMAGE
(SHOWN HERE WITH OPTIONAL
MAINTENANCE WALKWAY FOR
VERY TALL STRUCTURES)



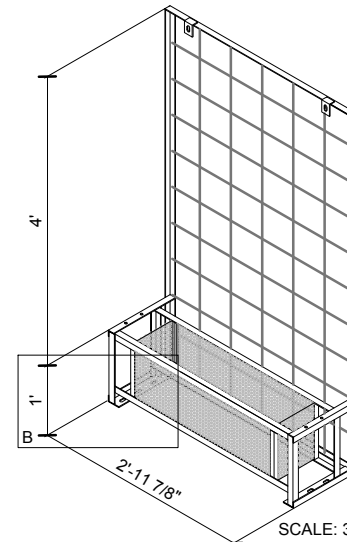
SCALE: 1/4" = 1'-0"

CONTAINER-FRONT



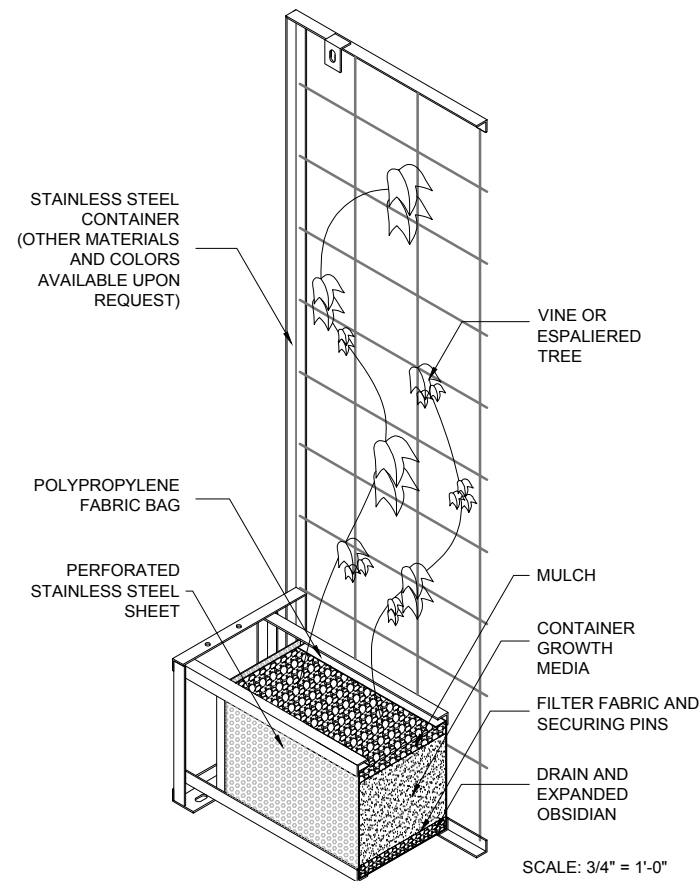
SCALE: 3/8" = 1'-0"

CONTAINER-BACK



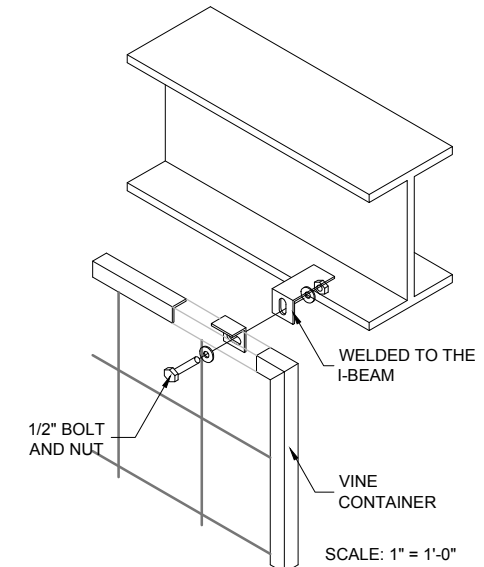
SCALE: 3/8" = 1'-0"

CONTAINER DETAIL



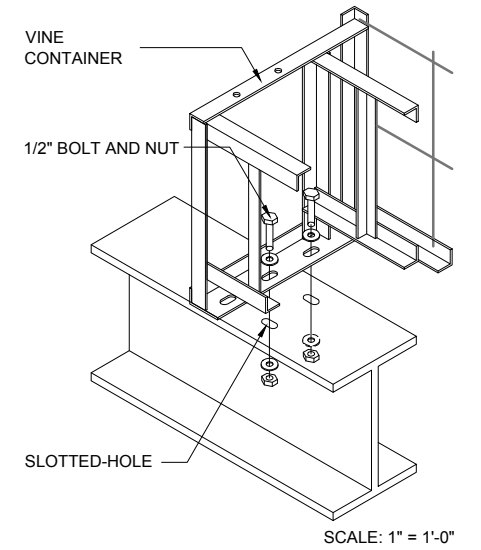
SCALE: 3/4" = 1'-0"

ATTACHMENT OPTION A



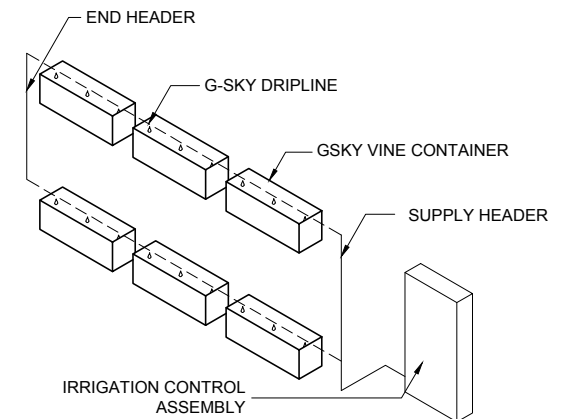
SCALE: 1" = 1'-0"

ATTACHMENT OPTION B



SCALE: 1" = 1'-0"

BASIC IRRIGATION SYSTEM



SCALE: 3/16" = 1'-0"